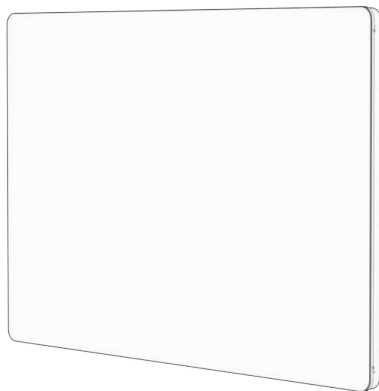




**CAMPAVER, KERAMOS, NATURAY
nativ HORIZONTAL**

CONNECTED RADIATOR WITH AN ACTIVE FRONT PANEL



INSTRUCTIONS

REF 421AA6137

intuis

This device is compatible with the Intuis Connect with Netatmo gateway module.

Sold separately

By means of the Gateway you can control your devices remotely using a smartphone with the Intuis Connect with Netatmo application.



- Download the Intuis connect with Netatmo application and find out more!



- Smart timing to adapt your heating to your routine.



- The appliance lowers the heating temperature automatically when you are absent.



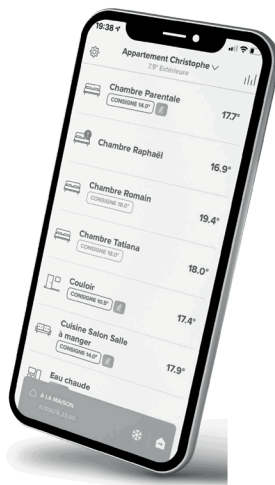
- Notifications ensure that you receive information at all times.



- Consumption history



- Voice control



**Find out about all the advantages at
www.intuis.fr**

Warning

Read the installation and operating instructions (*) carefully, especially those set out below.



**WARNING:
DO NOT COVER**



**Caution, hot surface
Beware: very hot surface**

CAUTION - Parts of this product can become very hot and cause burns. Take particular care in the presence of children and vulnerable people.

Children under 3 years of age should be kept away from the appliance unless they are under continuous supervision.

Please ensure that children aged between 3 and 8 years do not switch the appliance on or off unless it has been placed or installed in a normal position as intended and that they are supervised or have been instructed in the safe use of the appliance and understand its potential hazards. Please ensure that children between the ages of 3 and 8 do not plug in, adjust or clean the appliance or carry out user maintenance.

This appliance may be used by children aged at least 8 years and by persons with reduced physical, sensory or mental capabilities or lacking experience or knowledge, provided that they are properly supervised or have been given instructions on the safe use of the appliance and are aware of the risks involved.

Children must not play with the appliance.

Please make sure that unsupervised children do not carry out cleaning and maintenance on the appliance.

The appliance may overheat if it is covered. The symbol on the right is a reminder of this risk. Do not under any circumstances cover or obstruct the air inlets or outlets as this may result in a risk of incidents or damage to the appliance.

This appliance must only be connected to the power supply by a qualified person and when the power is off. All work on the appliance must be carried out with the power off and by qualified personnel.

Power to the appliance must be supplied via an omnipolar switch in compliance with the installation regulations.

The power supply must be protected by a differential residual current device with a rated current not exceeding 30 mA, particularly in the case of installation in a room containing a bath or shower. If the power cable is damaged, it must be replaced by the manufacturer, its after-sales service department or a similarly qualified party in order to avoid any hazard.

The appliance must not be installed under a power socket.

If the appliance has a glass, ceramic or lava stone front panel, do not use it if it is damaged.

Make sure that nothing is introduced into the appliance.

(*) These instructions were drawn up at the time of manufacture of the appliance and in accordance with the standards in force at that time. The manufacturer reserves the right to modify the installation and operating instructions at any time in order to take into account the applicable standards and any amendments to them.

Safety:

To avoid accidents and injuries when handling the appliance, make sure you wear the recommended personal protective equipment.



Protective gloves



Protective clothing



Protective goggles



Protective footwear

Foreword:

- Thank you for purchasing this Intuis radiant heater and for your trust.
- This appliance has been carefully conceived, designed and built to give you complete satisfaction.
- It is important to read these instructions in full before installing and switching on your appliance.

General points:

This manual was drawn up in accordance with the standards (NFC 15-100) in force in France, where the appliance is installed, on the day the appliance was manufactured.

We reserve the right to amend this leaflet at any time to comply with changes in current standards.

Our equipment must be installed and maintained by personnel who are qualified and authorised in the operation of electrical appliances and who have undergone safety training.

We accept no liability for the consequences of using the appliance in the following cases:

- use of the heater in any way other than in accordance with the instructions in this manual.
- failure to check that the mains voltage (alternating current) is correct before switching on the appliance.

The warning triangles in the leaflet must be strictly observed. Given the diversity of standards in force, the appliance should be checked by qualified personnel if it is to be used in a country other than where it was purchased.

Keep these instructions even after the appliance has been installed.

CONTENTS

1. Characteristics	p.6
2. Recommendations for installing the appliance	p.8
3. Electrical connection	p.9
4. Installing and fixing the appliance	p.10
5. How to use your appliance	p.15
5.1. Switching on the appliance.....	p.15
5.2. Description of the casing.....	p.15
5.3. Adjusting the temperature setting.....	p.16
5.4. Override.....	p.17
5.5. Connection menu.....	p.17
5.6. Main menu.....	p.18
5.7. Settings menu.....	p.19
5.7.1 Programming.....	p.20
Manual programming.....	p.20
Automatic timing function.....	p.20
Pilot wire programming.....	p.20
5.7.2 Locking the thermostat.....	p.21
Basic lock.....	p.21
PIN code lock.....	p.21
Hotel lock.....	p.21
5.7.3. Energy saving.....	p.21
5.7.4. ECO temperature.....	p.22
5.7.5. Absence detector.....	p.22
5.7.6 Open window detector.....	p.22
5.7.7 Temperature calibration.....	p.23
5.7.8 Reset	p.23
Basic reset	p.23
Factory reset	p.24
5.7.9 FAQ.....	p.24
6. Troubleshooting	p.24
7. Advice and maintenance	p.25
8. Identifying heating appliances	p.27

1. Characteristics

Type	Reference	Power rating (W)	I (A)	H (mm)	L (mm)	Depth with backplate (mm)	Weight (kg)
White lava H	K160113	1000	4.3	565	820	115	26
	K160115	1500	6.5	565	1098	115	35
	K160117	2000	8.7	565	1222	115	38
Rough lava H	K160123	1000	4.3	565	820	115	26
	K160125	1500	6.5	565	1098	115	35
	K160127	2000	8.7	565	1222	115	38
Grey Lava H	K160133	1000	4.3	565	820	115	26
	K160135	1500	6.5	565	1098	115	35
	K160137	2000	8.7	565	1222	115	38
Lily White Glass H	K161113	1000	4.3	565	820	108	16
	K161115	1500	6.5	565	1098	108	22
	K161117	2000	8.7	565	1222	108	24
Black Glass H	K161123	1000	4.3	565	820	108	16
	K161125	1500	6.5	565	1098	108	22
	K161127	2000	8.7	565	1222	108	24
Keramos White Marble H	K164113	1000	4.3	565	820	112	20
	K164115	1500	6.5	565	1098	112	28
	K164117	2000	8.7	565	1222	112	30
Keramos White Slate H	K164123	1000	4.3	565	820	112	20
	K164125	1500	6.5	565	1098	112	28
	K164127	2000	8.7	565	1222	112	30
Keramos Terre de Mars H	K164133	1000	4.3	565	820	112	20
	K164135	1500	6.5	565	1098	112	28
	K164137	2000	8.7	565	1222	112	30

1. Characteristics (continued)

Characteristics		Projects			Unit
Heat output		K160113 K160123 K160133 K161113 K161123 K164113 K164123 K164133	K160115 K160125 K160135 K164115 K164125 K164135 K161115 K161125	K160117 K160127 K160137 K161117 K161127 K164117 K164127 K164137	
Nominal heat output	P_{nom}	1.0	1.5	2.0	kW
Minimum heat output (indicative)	P_{min}	n.d.	n.d.	n.d.	kW
Maximum continuous heat output	$P_{max,c}$	1.0	1.5	2.0	kW
Auxiliary power consumption					
At nominal heat output	$e _{max}$	0.000	0.000	0.000	kW
At minimum heat output	$e _{min}$	0.000	0.000	0.000	kW
In standby mode	$e _{SB}$	0.001	0.001	0.001	kW

Heat emission power: < 100 mW

Frequency band: 2.4-2.4835 GHz

Intuis confirms that the radiators referred to above comply with Directive 2014/53/EU.

The full text of the EU Declaration of Conformity is available at

<https://intuis.fr/declaration-de-conformite>

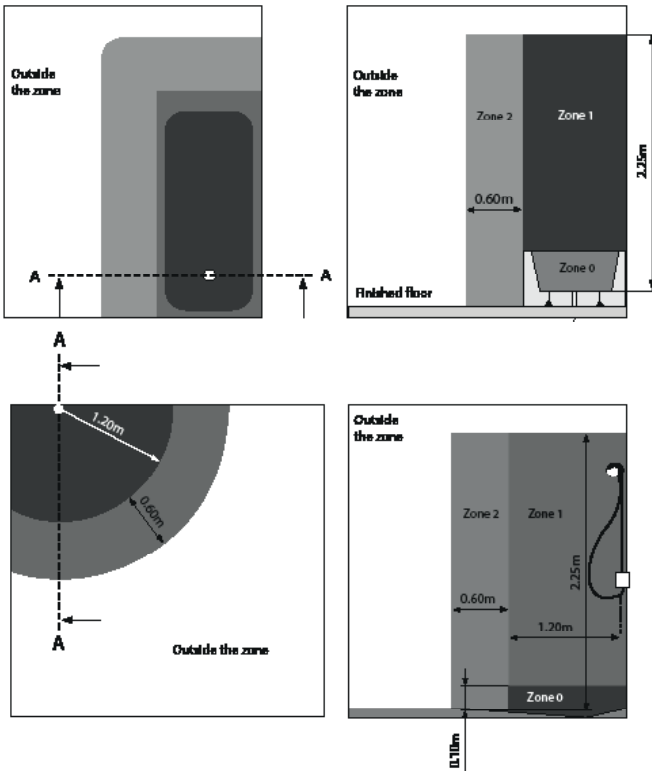
Characteristics	Unit
Type of room temperature control	
Electronic room temperature control and weekly programming unit	yes
Other control options	
Room temperature control with open window sensor	yes
Room temperature control with presence detector	yes
Remote control option	yes
Adaptive activation control	yes

2. Recommendations for installing the appliance

- This electric direct heating appliance is designed to provide room heating in new or pre-existing individual or communal housing or similar premises.
- Do not fit a vertical appliance horizontally or vice versa. Do not use the appliance in mobile configuration on feet or castors.
- In bathrooms, the appliance can be installed in zone 2 or outside the zone (Fig. A).
- The appliance must not be installed under a power socket.

INSTALLING APPLIANCES

The electrical wiring must comply with the standards in force in the country where the appliance is installed (NFC 15-100 for France).



NFC 15-100 diagrams
ELECTRICAL WASTE
MUST NOT BE DISPOSED
OF TOGETHER WITH
HOUSEHOLD WASTE.
PLEASE RECYCLE IT AT
THE APPROPRIATE CENTRES.

3. Electrical connection

- Power to the appliance must be supplied via an omnipolar switch in compliance with the installation regulations.

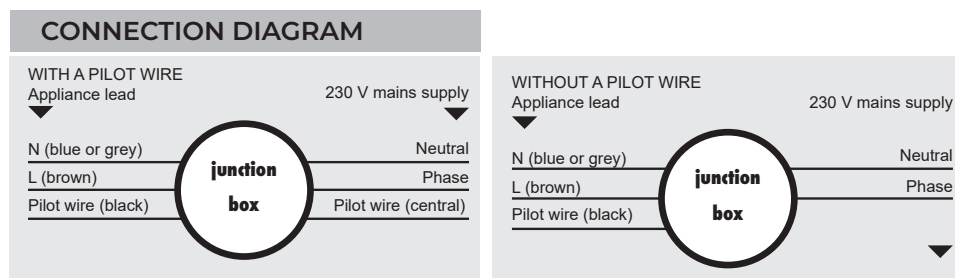
The appliance must be connected to a 230V 50Hz mains supply via a wall-mounted junction box.

- The electrical wiring must comply with the standards in force in the country where the appliance is installed (NFC 15-100 for France).

- Check that all wires are correctly connected to the terminals in the wall-mounted junction box.

- If the appliance is connected to a pilot wire and protected by a 30mA differential switch, the pilot wire supply must be protected by this differential switch.

- The appliance must not be installed under a power socket.



Ensure correct connection:

BROWN = PHASE,
BLUE or GREY = NEUTRAL,
BLACK = PILOT WIRE

Under no circumstances should the black wire be connected to an earth terminal or to the **GREEN/YELLOW** wire.

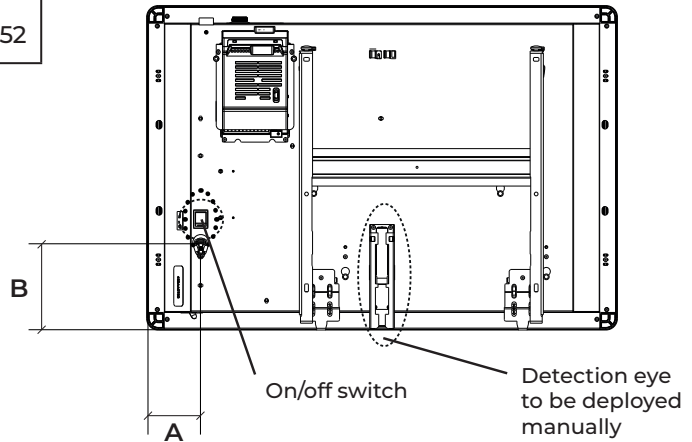
Command	Corresponding electrical signal	
Comfort	No signal	—
Comfort -1°C		
Comfort -2°C		
Eco or reduced	230 V full alternation	
Frost free	negative half-alternation	
Stop	positive half-alternation	

NOTE: Programming commands are distributed by the signals shown above, measured in relation to Neutral.

POWER CABLE POSITION

Reference	A	B
All	94	152

(Dimensions given in mm)



4. Installation and Fixing

- Ensure at least the minimum distances from the floor, walls, curtains, etc., as recommended in Figure C (page 11).
- Place the backplate on the wall, making sure it is facing the right way, and locate the 6 fixing positions (Fig. D, page 12).
- This type of radiator is heavy and great care must be taken when handling and installing it. For this purpose, 2 special fixing pegs are provided in a separate bag. These are suitable for all the materials that can be used in home building. Take great care in choosing the type of fixing pegs according to the type of materials. We cannot be held liable if the radiator is not installed in compliance with the relevant professional standards.
- Drill the holes and fit the appropriate pegs.
- Fix the backplate at the 6 locations provided, taking care to fit the galvanised steel washers provided with your appliance as shown in the diagram below.

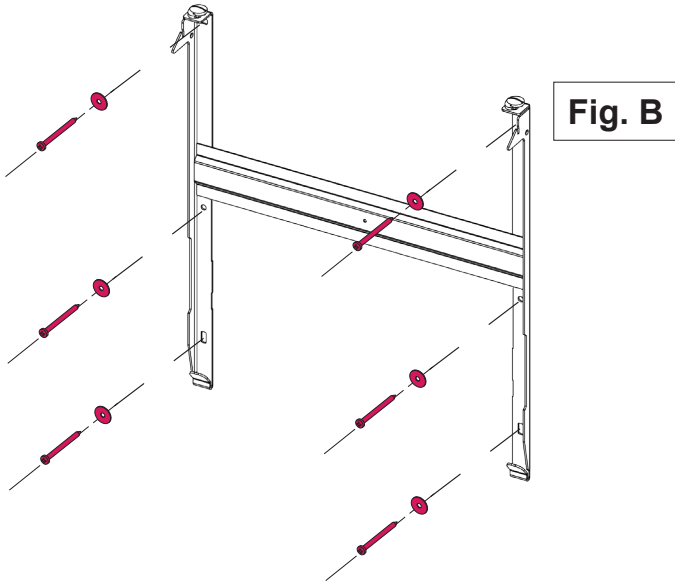


Fig. B

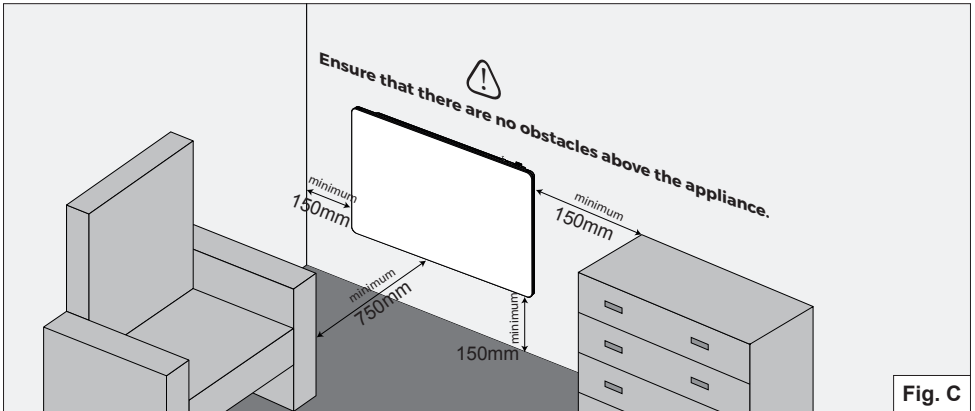


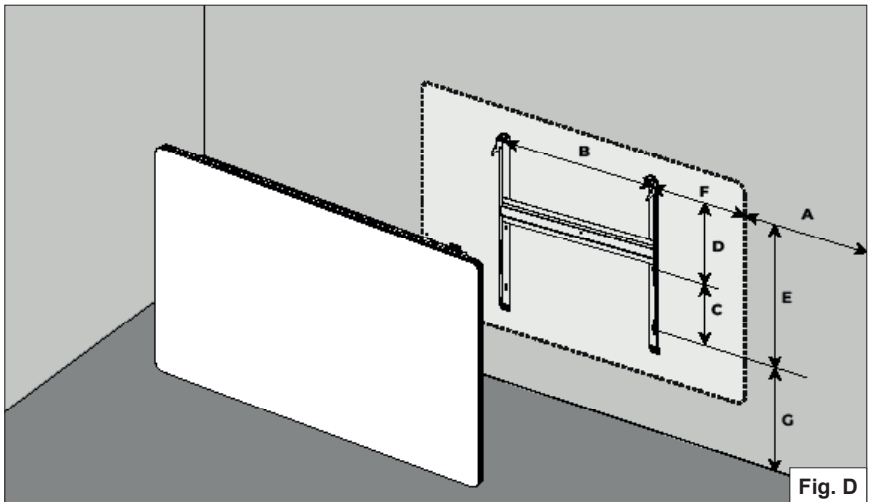
Fig. C

Avoid installing the appliance in a draught that could cause it to be adjusted incorrectly.

- To make the most of the absence detector, do not obstruct the detection device.

Reference		A	B	C	D	E	F	G
K160113 K160123 K160133 K161113 K161123	K164113 K164123 K164133	150 minimum	400	164	234	398	279	223 minimum
K160115 K160125 K160135 K164115 K164125	K164135 K161115 K161125		500				299	
K160117 K160127 K160137 K161117	K161127 K164117 K164127 K164137						361	

(Dimensions given in mm)

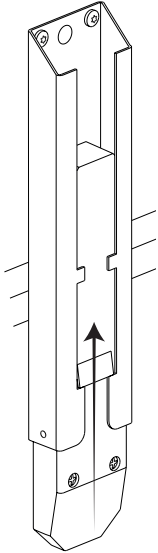


-Retracting / setting up the absence detector



Before handling, check that there is no risk of damaging the detector.

For added safety, the absence detector can be retracted.



RETRACTING

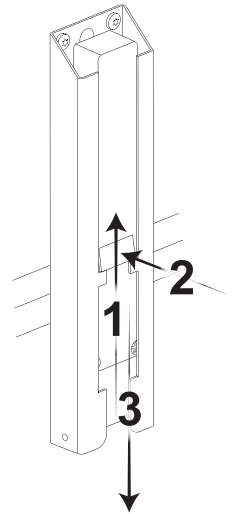
Retracting the absence detector involves 2 steps:

- Place the plastic part of the detector at the same level as the metal part.
- Press the plastic part 5 mm into the metal part.

SETTING UP

Setting up the absence detector involves 3 steps:

- Raise the plastic part of the detector in its metal housing by 5 mm.
- Press the part identified by arrow 2.
- Lower the detector.



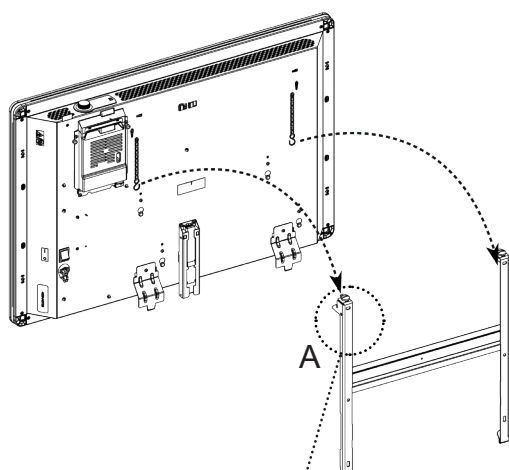
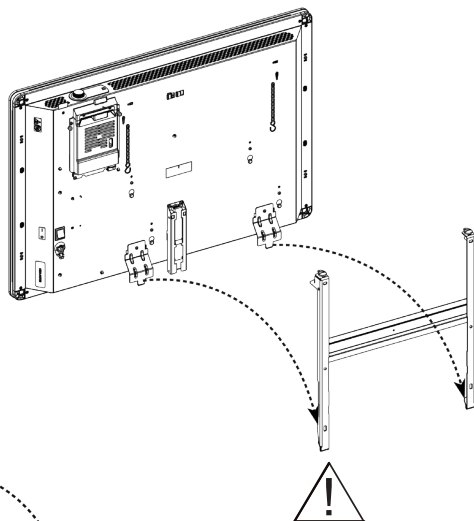
To use the absence detection function, make sure the detector is set up.



If you wish to retract the detector, remember to deactivate the detection function on the control box to ensure optimum operation of your appliance. (see p.19)

- fixing the appliance on the backplate

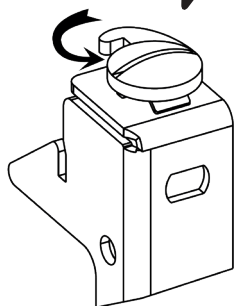
Once the backplate is fixed in place: Lift the appliance, tilting it towards you, to place it on the lower part of the backplate.



It is essential to hook the two chains into the safety holes in the backplate.

Swing the appliance towards the wall to snap the upper part into place.

A



Make sure you lock the appliance to the wall bracket by rotating the locking mechanism a quarter of a turn



The lock acts as a child safety device. For safe use, make sure that the appliance is properly locked.




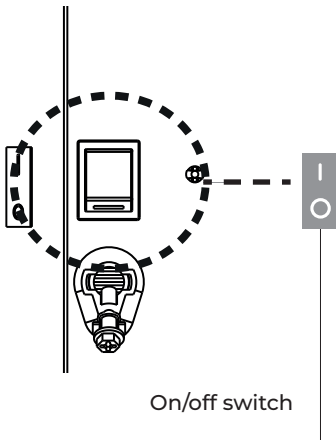
Hold the appliance when unlocking.

5. How to use your appliance

■ 5.1. Switching on the appliance:

To switch on the appliance:

- ① Locate the On/Off switch on the appliance. The On/Off switch is at the rear of the appliance (see diagram below).
- ② Set the switch to position «I».
- ③ When the device is turned on (power switch on), press the  control knob to switch on the screen.

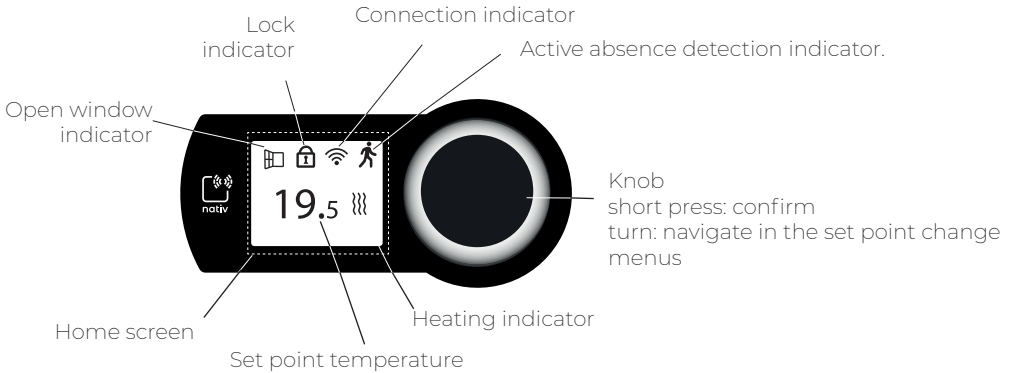


The on/off switch is located at the rear of the appliance. Use this switch only for prolonged shutdowns (not during heating periods). When the switch is in the off position, the device is no longer connected and you may need to reset the date and time.



- Set the date and time when you first switch it on or after a prolonged shutdown.

- To put your appliance on standby, press the knob once and select the “” symbol

5.2. Description of the casing




Navigation principle:

- use the knob to move around and change values in the menus: 
- to confirm a value or an operating mode, briefly press the knob: 

i Make sure you remove the protective film from the screen

5.3. Adjusting the set point temperature

Use the knob  to change the set point temperature in 0.5°C steps from 7°C to 28°C. When setting, the temperature display changes colour as described below.

set point \leq 19 °C	Green
19 °C < set point < 24 °C	Yellow
set point \geq 24 °C	Red

The colour reverts to white after 3 seconds if no action is taken on the knob

i For economical operation, the average temperature throughout the home should be 19 °C.

■ **5.4. Override**




- If you have not activated programming:
Your temperature setting will remain in effect until it is changed manually.
- If you have activated internal programming (see Nativ programming):
When you adjust the programmed set point temperature (the temperature specified in the radiator programme), this automatically triggers a 2-hour timed override (by default). You will see an hourglass on the screen showing the time at which the override will end.

To change the duration of the override while it is in progress, simply press the knob. This will show an hourglass on the screen. Then press the knob again and select the «Duration» option.

- If you are connected to the Intuis Connect with Netatmo application:
When you change the programmed temperature set point (the temperature specified in the programme created in the application), the timed override lasts 3 hours.
To change the override duration, you can use the Intuis Connect with Netatmo application.

■ **5.5. Connection menu**



When you select the  connection icon, the appliance scans of the available networks. If the Intuis Connect network is detected, the heater will automatically connect to it. If no Intuis Connect network is detected, the appliance will scan for available Intuis Synchro slots. The appliance will then suggest either joining an existing slot or creating a new one.

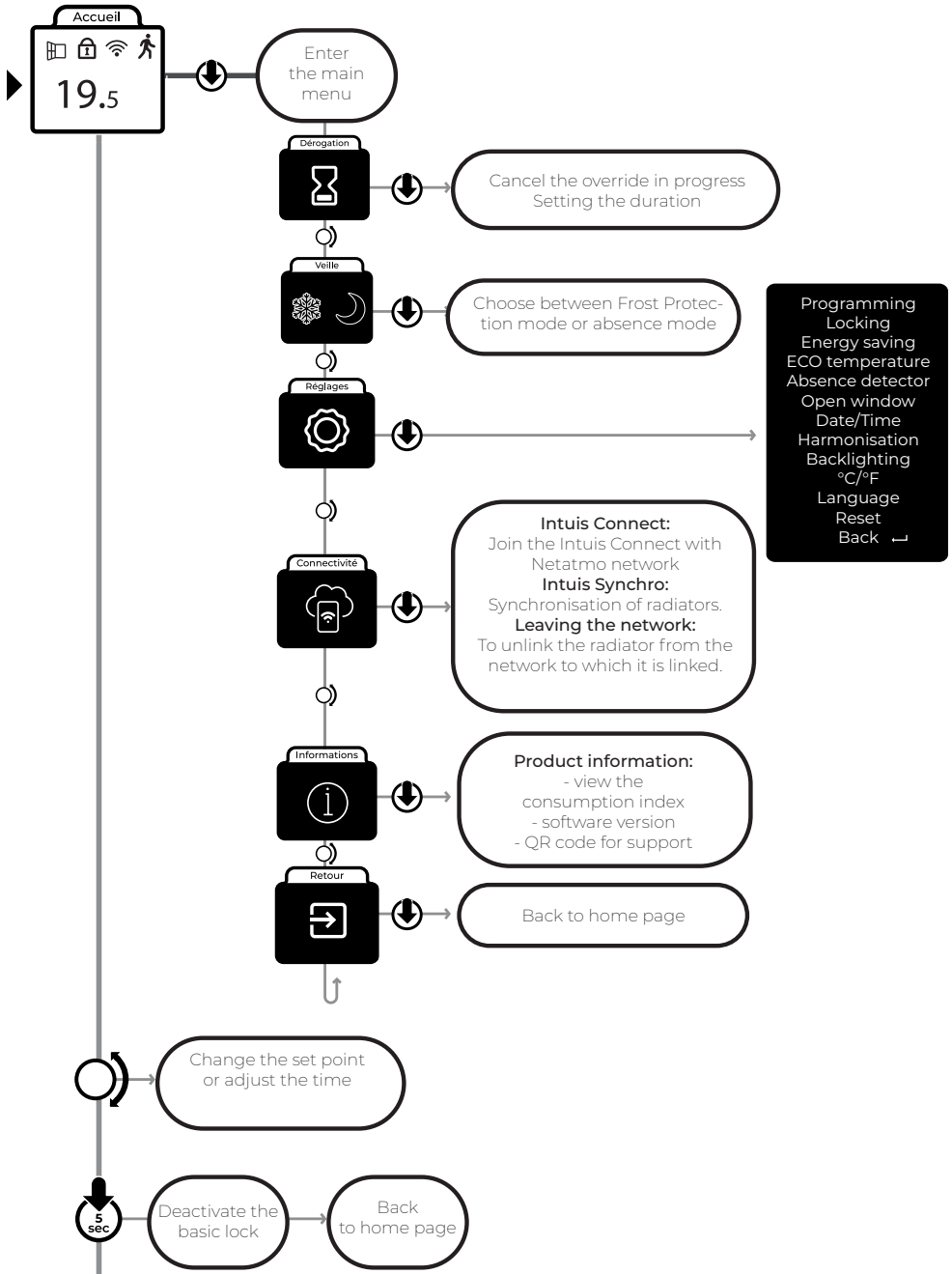
○ Intuis Synchro:

With the Intuis Synchro function you can link several radiators together, e.g. in the same room, so that they operate in sync.

To create an Intuis Synchro slot, follow the steps below:

- ① first of all, choose a slot name (nativ xx) or join an existing slot
- ② select the room in which your radiator is installed from the various options available
- ③ Repeat the operation for the radiators you wish to link.

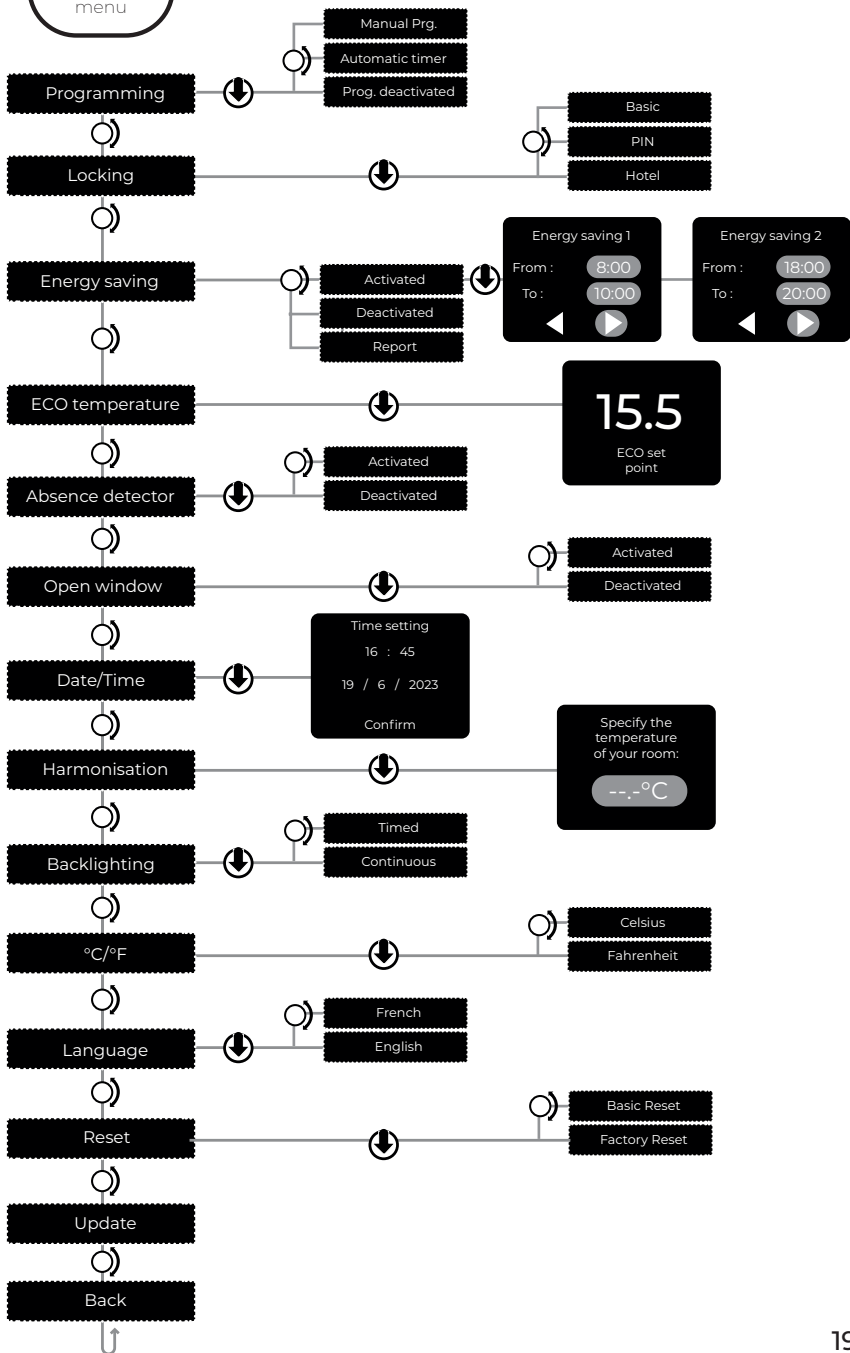
5.6. Main menu



5.7. Settings menu



Enter the main menu



5.7.1 Programming:

Programming

o Manual programming

To use manual programming and adjust set point temperatures to suit your routine, follow these steps:

- ① Access the programming menu on your appliance
- ② Select the Manual Prog. option
- ③ Select:
 - Activate: your radiator will follow the saved programme
 - View: View the saved programme
 - Change: Create a programme or view a saved programme
 - Copy: Copy a particular day to one or more other days

Follow the steps described on the radiator screen.

o Automatic Timer function

With the Automatic Timer function, the radiator records the routine of the occupants of the room and takes account of its heating parameters to automatically create a schedule. Using adaptive activation control, it starts heating in advance to reach the right temperature as soon as the room becomes occupied.

In the event of unforeseen circumstances, if the occupants are absent or return early, the radiator immediately adapts to the new routine.

You can view, reset, deactivate or set the absence or presence set points in the Automatic Timer menu.

o Programming by Pilot Wire

The pilot wire can be connected to an energy manager, which will send operating commands to the appliance.

Command	Corresponding electrical signal	
Comfort	No signal	
Comfort -1°C		
Comfort -2°C		
Eco or reduced	230 V full alternation	
Frost free	negative half-alternation	
Stop	positive half-alternation	

■ 5.7.2 Locking the thermostat


Locking

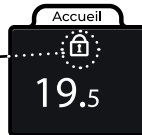
Several locking levels are available

○ Basic lock:


This level of locking prevents any changes to the thermostat settings with the exception of the sleep function, which can be accessed with a single press. To activate it, select the «Basic» option. To deactivate it, press the knob for 5 seconds




The basic lock is activated and a padlock symbol  appears on the home screen



○ PIN code lock:

This level of locking prevents any changes to the thermostat settings, with the exception of the standby function. Select the «PIN Code» option and choose a four-digit code to activate it. To deactivate it, hold down the  button for 5 seconds to be able to enter the code again.

○ «Hotel» Lock

This locking level restricts access to the thermostat settings while allowing controlled adjustment of the set point temperature within a range of +/- 2°C. Select the «Hotel» option and choose a four-digit code to activate it. To deactivate it, hold down the  button for 5 seconds to be able to enter the code again.

■ 5.7.3 Energy saving

Energy saving

With this nativ radiator's built-in energy saving function you can manage electricity consumption intelligently and responsibly.

This feature helps to relieve the national grid by anticipating peak periods when demand for electricity is highest.

It anticipates periods when the electricity grid is under heavy load and stores 100% of its heat capacity in its inertial heating element when necessary. During periods of high demand on the power grid, and depending on the time slot entered, the nativ radiator will reduce its power consumption by between 20% and 60% without compromising the comfort of the occupants, thus relieving demand on the grid.

Enter 1 or 2 time slots during which you want the nativ heater to reduce its power.

To deactivate an energy saving range, set its duration to 00:00.

■ 5.7.4. ECO temperature

ECO temperature

The Eco temperature set point is pre-set to 15.5 °C by default, but can be adjusted to suit your preferences. This Eco temperature will be applied in the following situations:

- ① An ECO command is received via the Pilot Wire: if your radiator is connected to an energy manager via the Pilot Wire.
- ② Activating the absence detector: When the absence detection function is activated and the room is deemed to be unoccupied, the Eco temperature set point will be applied.
To save energy, the Eco temperature should be set lower than the usual comfort temperature.

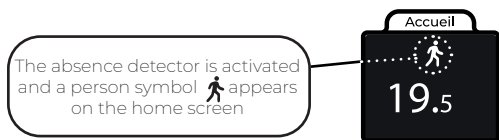
■ 5.7.5. Absence detector

Absence detector

Only for signature appliances.

To use the absence detection function, make sure the detector is set up. (see p.13)

When absence detection is activated, the thermostat optimises energy consumption by automatically adjusting the set point temperature according to the occupancy of the room. This saves energy when the occupant is away by keeping the temperature low, while ensuring comfort when an occupant is present.



■ 5.7.6. Open Window Detector

Open window

When open window detection is activated, the thermostat constantly monitors the room temperature. If a significant drop in temperature is detected in a short space of time, the thermostat interprets this as the opening of a window and reacts by switching off the heating. This avoids wasting energy by heating the room unnecessarily.



If an open window is detected, the window symbol appears large on the screen and an audible signal is emitted. Pressing the knob will automatically switch the heater back on.

See page 19 to deactivate the open window detector.

■ 5.7.7. Harmonisation

Harmonisation

It is normal for there to be a slight difference between the temperature displayed on the appliance and that on an external thermometer. However, if this difference is greater than +/- 1°C, the displays can be harmonised to obtain a better match.

To adjust the temperature measured by the radiator and correct the discrepancy, take the following steps:

- ① Make sure to follow the instructions in the installation manual, particularly with regard to positioning and minimum distances.
- ② Close all external doors and windows and the inside door(s) of the room heated by the radiator.
- ③ Place your thermometer in the centre of the room at a height of about 1.2 m. Do not place it on any item of furniture.
- ④ Check that your set point is between 17 and 23 °C.
- ⑤ Wait for the room temperature to stabilise (about 6 hours) and avoid coming and going in and out of the room as much as possible.
- ⑥ Check that the temperature readings on the radiator and on the thermometer are stable. This adjustment can only be made if the above conditions are met.
- ⑦ In the «Harmonisation» menu, set the temperature measured by your thermometer. (adjustable between 7°C and 23°C).
- ⑧ Confirm the changes.

■ 5.7.8. Reset

Reset

○ Basic reset

A reset returns the thermostat to its original configuration.

To reset, go to the settings menu and select «reset»

Set point	19°C
Eco	15.5°C
Absence detection	Activated
Open window detection	Activated

o Factory reset

A factory reset returns the thermostat to its factory configuration. To reset, go to the settings menu and select «reset»




Set point	19°C
Eco	15.5°C
Absence detection	Activated
Open window detection	Activated
PIN lock / Basic lock	Deactivated
Connection	Reset
Temperature unit	°C
Programming	None

■ 5.7.9. FAQ

If you need more information about how nativ radiators work: Scan the following QR code to access the FAQs



6. Troubleshooting

PROBLEM	CHECK	ACTION
The appliance does not heat up	Make sure the screen is on	Make sure that the appliance switch is in the On position (I).
	If the digital display is still not lit	Make sure that the installation circuit breakers are switched on and press 
	The window function has detected an opening and the screen displays «open window» 	Close the window and press the knob to reactivate heating.
	- The heating indicator light is off. 	- Adjust the temperature set point. - The room temperature is high enough not to require heating. - The appliance may be in load shedding mode.
The appliance heats up all the time	- The heating indicator is on all the time. - Check that the appliance is not located near an open door and/or in a draught.	- Adjust the temperature set point - Close the door or eliminate the draught.
The appliance does not comply with the programmed commands	- Check that it is in programming mode - Check the programme	- Switch to programming mode - Carry out programming
IN ALL CASES, CONTACT A QUALIFIED PERSON		

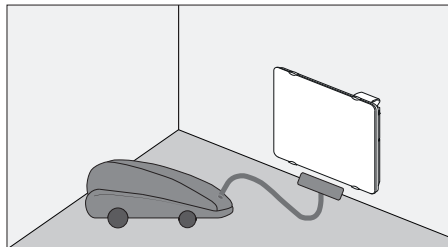
7. Advice - Maintenance

- To keep the appliance at optimum performance, regularly remove dust from inside it by operating a vacuum cleaner at the air inlets and outlets.
 - Preferably use surface-active universal cleaning products (soap, etc.) and a microfibre cloth. For dusting, a cloth is sufficient. Maintenance should be carried out with the power off and after the appliance has cooled down.
- NEVER USE ABRASIVE OR ACETONE-BASED PRODUCTS THAT COULD DAMAGE THE COATING OF THE APPLIANCE.**
- ALL WORK ON OUR APPLIANCES MUST BE CARRIED OUT WITH THE POWER OFF AND BY QUALIFIED PERSONNEL.**

Recommendations and advice

- When the heater is first switched on, it may emit an odour, but this will disappear after a few minutes of operation.
- If your wiring is equipped with a load shedding device: As load shedding is a priority, the appliance may fail to heat up in the event of temporary over-consumption (e.g. washing machine + oven + iron, etc.). This is normal. - As soon as normal consumption is restored, the appliance will start heating again.
- Designed to be connected to a 230V~ 50Hz power supply.
- We strongly advise you not to turn your appliance off by means of the switch when the heat indicator is lit.

To keep the appliance at optimum performance, regularly remove dust from inside it by operating a vacuum cleaner at the air inlets and outlets.



Preferably use surface-active universal cleaning products (soap, etc.) and a microfibre cloth. For dusting, a cloth is sufficient.

8. Identifying heating appliances

IMPORTANT: THE CHARACTERISTICS OF THE APPLIANCE ARE SHOWN ON THE INFORMATION PLATE.



The manufacturer affixes this mark to guarantee that the appliance complies with European Community directives on safety (Low Voltage Directive - LVD), electromagnetic compatibility (EMC), restriction of hazardous substances (ROHS) and ecodesign for energy-related products (ERP).



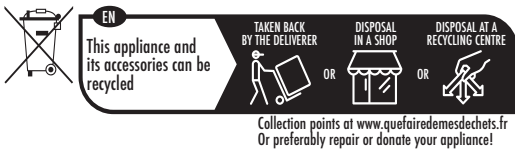
Class 2 appliance: this means that the appliance is double insulated and therefore must not be connected to the protective conductor (earth wire).

IP...

Ingress protection class of the appliance casing against entry of solid objects and liquids.

IK...

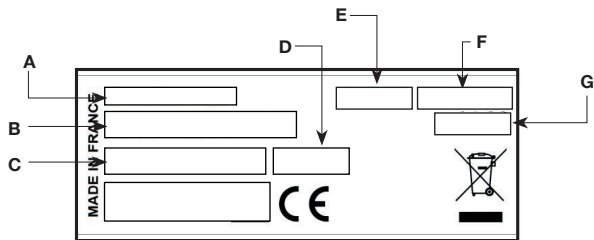
Impact resistance rating of the appliance casing.



The identification plate is located at the bottom right (control side) of your appliance.

The identification plate consists of:

- FIELD A: Manufacturer's No.
- FIELD B: Reference
- FIELD C: Power rating
- FIELD D: Protection class
- FIELD E: Manufacturer Index
- FIELD F: OF number
- FIELD G: Date of manufacture



Muller Group
and its professional brands

AIRELEC APPLIMO CAMPA

Noirot  Muller Intuitiv

have become



www.intuis.fr

service-consommateur@intuis.fr

service-client@intuis.fr

service client : +33 (0)9 78 45 10 26

