

Edel EAU

Domestic hot water heat pump

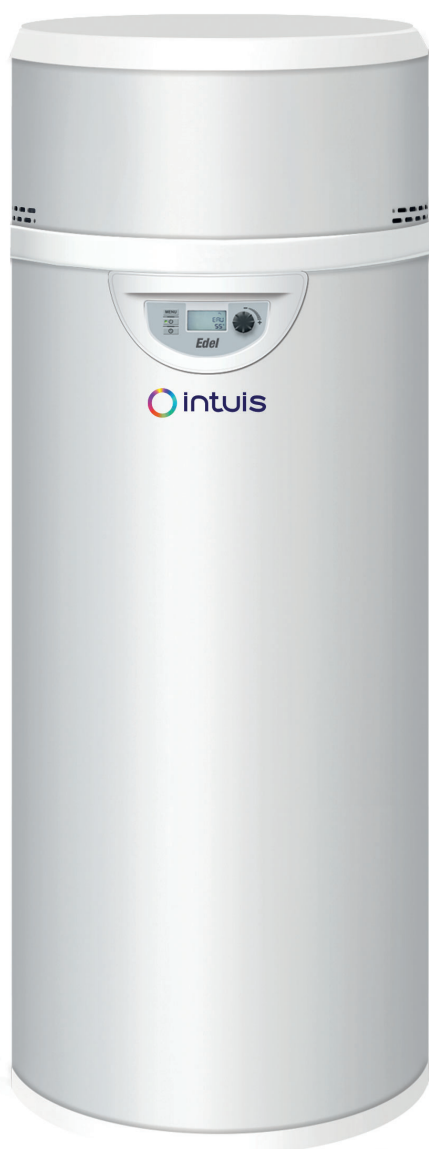
Using calories drawn from the return flow of underfloor heating



Installation manual

Edel 150 EAU /3

Ref. 352231



The information contained in this document is non-contractual. Auer reserves the right to modify the technical specifications or characteristics of any of their appliances without prior notice.



BVCert. 6020118

**Made in
France**



Manual ref: 1898829
Edition n°: 25.03

TABLE OF CONTENTS

1 - SAFETY	4	6.4 - Setting the desired water temperature	18
2 - RECOMMENDATIONS	6	6.4.1 - PV Mode deactivated	18
2.1 - Storage	6	6.4.2 - PV Mode activated	18
2.2 - Transport	6	6.5 - Holiday/temporary standby mode	19
2.3 - Handling	7	6.6 - BOOST mode (for occasional use and guaranteed comfort)	19
2.4 - Contents of packaging	7	6.7 - Electric mode (for operation using only the electrical back-up)	19
2.5 - Unpacking	7	6.8 - Programming	20
2.6 - Symbols used	7	6.9 - INSTALLER menu	20
3 - OPERATING PRINCIPLE	8	6.9.1 - PV mode	20
4 - INTRODUCTION	9	6.9.2 - PERF mode	21
4.1 - Dimensions	9	6.9.3 - Setting the operating parameters	21
4.2 - EU declaration	9	6.9.3.1 - ANTI-BACT Anti-legionellosis cycle	21
4.3 - Technical specifications and characteristics	9	6.9.3.2 - T°C. MINI Minimum temperature	21
5 - INSTALLATION	10	6.9.3.3 - LOAD SHEDDING Level of operation authorised during peak time	22
5.1 - Placement and positioning	10	6.9.3.4 - MAX TIME Maximum heating time	22
5.1.1 - Placement choice	10	6.9.4 - Locking the keyboard	22
5.1.2 - Positioning	10	6.9.5 - Resetting the parameters	23
5.1.3 - On-ground installation	10	6.9.6 - Reading data	23
5.1.4 - Wall mounting	11	6.9.7 - Counters	23
5.1.5 - Options	11	7 - MAINTENANCE AND TROUBLESHOOTING 24	
5.1.5.1 - Tripod for on-ground installation	11	7.1 - Water circuit	24
5.1.5.2 - Wall fastening brackets	11	7.2 - Water circuit from the return flow from underfloor heating	24
5.1.5.3 - Primary circuit mixing valve	11	7.3 - Electrical maintenance	25
5.1.6 - Included accessory	11	7.4 - Drainage	25
5.1.6.1 - Hydraulic derivation module	11	7.5 - Modification	25
5.2 - Hydraulic connections to underfloor heating	11	7.6 - Decommissioning	25
5.2.1 - Underfloor heating derivation module	11	7.6.1 - Leak detection	25
5.2.1.1 - Description	11	7.6.2 - Removal and evacuation	25
5.2.1.2 - Underfloor heating derivation module circulator	11	7.6.3 - Charging process	25
5.2.2 - Filter	12	7.6.4 - Decommissioning	26
5.2.3 - Radiators	12	7.6.5 - Recovery	26
5.2.4 - Minimum surface area for underfloor heating	12	7.6.6 - Recycling and Disposal	26
5.2.5 - 3-way mixing valve for underfloor heating circuit	12	7.7 - Troubleshooting	27
5.2.6 - Thermostatic mixing valves equipping the water loops of the underfloor heating circuit	12	7.8 - Inspecting the corrosion-proof anode - Changing the primary anode of the heating element or cleaning the tank	28
5.2.7 - Underfloor heating circuit circulator	12	7.9 - NTC sensor data	29
5.2.8 - Treatment of the water in the heating circuit	13	7.10 - List of spare parts	30
5.2.9 - Filling water	13	7.11 - Error message codes, errors, solutions, and operating in case of error	32
5.2.10 - Treatment of the heating circuit	13	8 - WARRANTY	33
5.2.11 - Purging the installation	13	8.1 - Limitations of warranty	33
5.3 - Connection to the domestic water supply	13	8.1.1 - General information	33
5.4 - Electrical connections	15	8.1.2 - Exclusion from warranty	33
5.4.1 - External control	15	8.1.2.1 - Use	33
5.4.1.1 - Peak / Off-peak hours contact and control	15	8.1.2.2 - Handling	33
5.4.1.2 - Electricity provider contact	16	8.1.2.3 - Placement	33
5.4.1.3 - Connection to the photovoltaic (PV) function	16	8.1.2.4 - Electrical connections	33
6 - SET-UP AND USE	17	8.1.2.5 - Hydraulic connections	33
6.1 - Control panel	17	8.1.2.6 - Accessories	33
6.2 - Setting the language	17	8.1.2.7 - Maintenance	33
6.3 - Setting the time and date	18		

9 - APPENDIX 35
9.1 - Electrical schematic diagram.....35

Preserving these documents

- This manual and all other relevant documents should be given to the system user.
- The system user should keep these manuals for future reference.

1 - SAFETY



• **Any intervention on the thermodynamic water heater should only be performed by qualified personnel.**

• **Follow the safety instructions!**

• **Any intervention on the refrigeration circuit must be made by a qualified person who holds a Category 1 certificate of fitness.**

Refrigerant R290, contained in the heat pump circuit, does not pose an environmental hazard but is flammable.

→ **Refrigerant R290 is odorless.**

→ **Do not damage the refrigeration circuit tubes,**

→ **Do not handle flame or other flammable sources inside the device,**

→ **In the event of a leakage of the refrigerant, unplug the plug, ventilate the room and contact the customer service,**

→ **Do not pierce or burn the appliance: the recovery of the fluid is mandatory in case of intervention on the refrigeration circuit.**

Danger of death by electrocution

Touching live electrical wires can cause severe injury.

- Before undertaking any work on the appliance, ensure to switch off the power supply to the appliance.
- Ensure that there is no possibility of the power supply becoming active again.

Danger of injury or death due to the absence of, or defective, safety devices.

Absence of safety devices can be dangerous and may result in burns or other injuries. Injuries could be caused by pipes bursting for example.

The information provided in this document does not represent all of the diagrams required for a professional installation of the safety devices.

- Install all required safety devices in the circuit.
- Inform the user of where the safety devices are placed, and how they work.

- Follow all relevant national and international health and safety rules and regulations.

Danger resulting from improper use

Any work carried out by an unqualified person may result in damage to the installation or in physical injury.

- Do not perform any maintenance work on this appliance unless you are a qualified professional.

Intended use and applicable areas of use

This appliance is intended for use as an appliance for domestic hot water production. The intended use of the appliance includes the following points:

- Following the instructions for operating, installing, and maintaining this appliance and all other parts and components of the system.
- Ensuring the compliance with all conditions of inspection and maintenance which are listed in this manual.

Humidity and water splashes

The appliance should be installed in an area where it is not exposed to humidity and without any risk of being splashed by water.

Rules and regulations (directives, laws, and standards)

Once the appliance is installed and switched on, all decrees, directives, technical rules, safety measures and standards, must be respected in their current version in effect.

- This appliance can be used by children of at least 8 years of age and by persons with reduced physical, sensory or mental capabilities or lacking experience or knowledge, if they are properly supervised or if they have been given instructions on how to use the appliance safely and if the risks involved have been understood.
- Children should be supervised to ensure that they do not play with the appliance.
- Cleaning and maintenance of the appliance should not be undertaken by children without proper supervision.
- Children aged 3 to 8 years are only allowed to turn on the tap connected to the domestic hot water heat pump.

A method of disconnection ensuring a complete cut-off according to Category III conditions must be installed in the fixed piping to conform to installation regulations.

Protect the appliance with:

- a 10 A (D-curve) or 16 A (C-curve) all-pole circuit breaker with a contact opening of at least 3 mm.
- a protective circuit breaker with a 30 mA differential.

WARNING

Do not use any means to speed up the defrosting process or to clean, other than those recommended by the manufacturer.

The appliance must be stored in a room which does not contain a perpetual flame or other source of ignition (for example: open flame, gas powered appliances or electric radiators in use).

Do not pierce or burn.

Warning: refrigerant fluids may be odourless.

This product is not intended to be operated at an altitude greater than 2000 m.

- Water may drain from the discharge pipe of the pressure limiting device. This pipe should be kept open to open air.
- Verify that the ventilation openings are not obstructed.
- A **new** pressure-relief valve (not included) **must** be installed and set to 6 bar on the domestic cold water supply of the appliance. We recommend using a membrane valve.
- This valve must conform to all national standards in effect (NF EN 1487).
- The pressure-relief drainage outlet should be installed in a frost-free place and in a downward sloping position.

Maintenance - Troubleshooting

- Drainage: Turn off the power supply and the cold water, open the hot water valves and then set the safety group to the drainage position.
- The pressure-relief valve should be activated regularly so as to eliminate limescale and check for blockages.
- If the electrical supply cable is damaged, it must be replaced by the manufacturer, their customer service technicians, or by a qualified professional to avoid risk of injury.
- See the § «Dimensions» pages and the § «Installation» pages of this manual to find the necessary dimensions for the proper installation of this appliance.
- See the § «Hydraulic connections» pages of this manual to find the minimum and maximum water pressures and temperatures.
- Repair and maintenance of electrical components must include initial safety checks and component inspection procedures.
- If there is a defect that could compromise safety, then no power supply should be connected to the product until it is satisfactorily processed. If the defect cannot be corrected immediately but must be allowed to work then an adequate interim solution must be used. This must be reported to the equipment owner so that all parties are informed.
- Initial security controls must include:
 - Discharge of capacitors: Discharge safely to avoid sparking.
 - Verification that no electrical components are energized and that no wiring is exposed during system charging, recovery or purging.
 - That there is continuity of connection to the ground.

Repair of intrinsically safe components

Intrinsically safe components are the only components that can be used in the presence of a flammable atmosphere. The equipment used must be properly sized.

2 - RECOMMENDATIONS



- The appliance can only function when filled with water. Never turn on the appliance if the tank has not been properly filled with water and completely purged of air.
- The corrosion-proof magnesium anode ensures the protection of the tank. An annual inspection of the condition of the anode must be carried out. If necessary, it must be replaced to maintain the anti-corrosion protection of the tank, see § «Corrosion-proof anode»).
- It is recommended to periodically inspect for limescale using the access hatch provided for this purpose, and to clean if necessary.

2.1 - Storage



STORAGE PRECAUTIONS:

- Admissible storage and transport temperatures of the domestic hot water heat pump are from -5°C to +35°C.

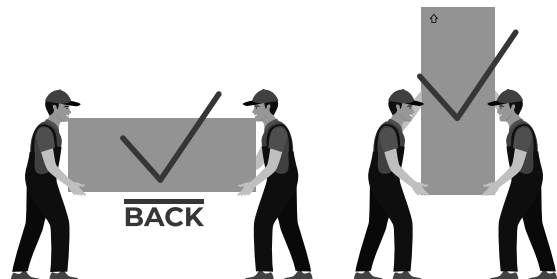
2.2 - Transport

The appliance can be tilted 90° on the back of the product. This is indicated by the «Back» on the appliance packaging. In case of horizontal transport, the appliance must be tilted GRADUALLY. It is FORBIDDEN to tilt the appliance on the other sides.

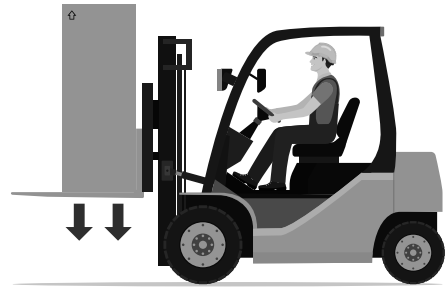
NON-ADMISSIBLE transportation positions :



ADMISSIBLE transportation positions :

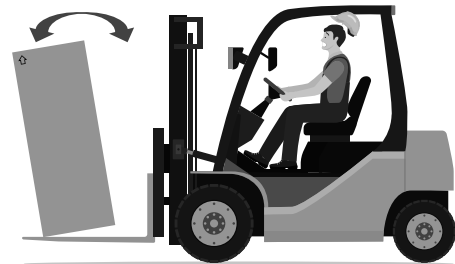


We do not guarantee the damage caused by a transport or handling of the appliance that is not in accordance with our recommendations.



Do not pose abruptly

Risk of tilting

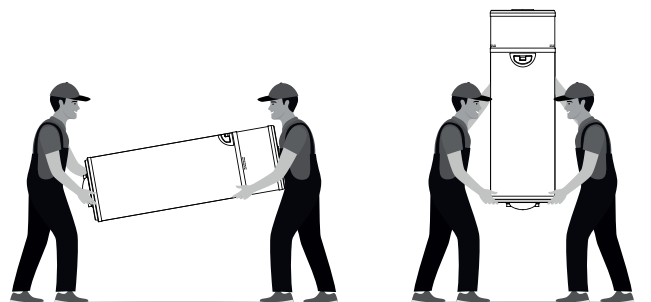


Risk of tipping, center of gravity shifted upwards : handle with care.

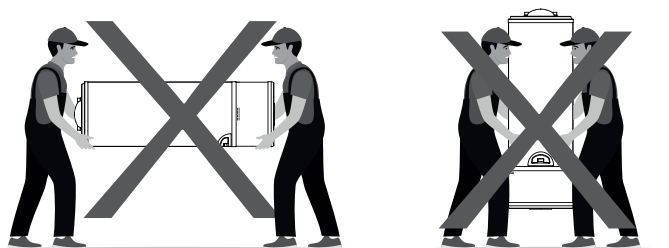
2.3 - Handling

To transport the appliance to the installation location, use the wall bracket and lower handles.

ADMISSIBLE transportation positions :



NON-ADMISSIBLE transportation positions :



The top covers of the appliance cannot support loads and should not be used for handling.



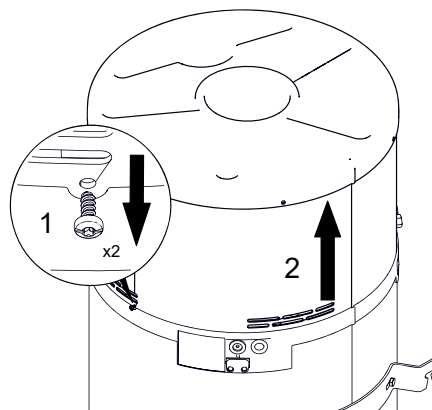
Once the domestic hot water heat pump is installed in its definitive place, it is imperative to wait at least 60 minutes before switching it on for the first time.

2.4 - Contents of packaging

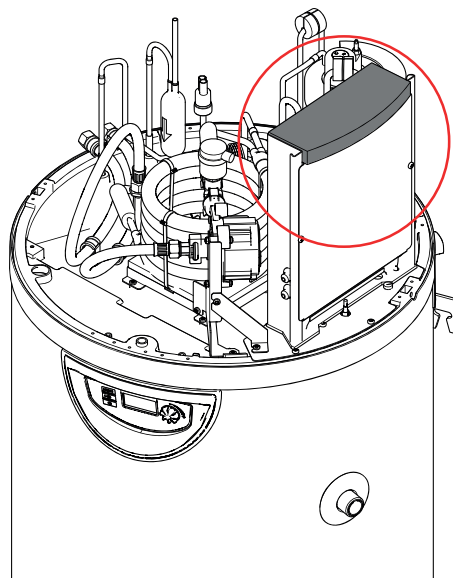
- 1 domestic hot water heat pump
- 1 documentation bag containing 1 installation and use manual, 1 warranty form and two dielectric fittings
- 1 hydraulic derivation module

2.5 - Unpacking

- Cut the straps.
- Remove the hydraulic derivation module and the transport bag.
- Remove the cardboard packaging.
- Pull out the centring cardboard.
- Remove the compressor outside holding cardboard.
- Remove the cover.



- Remove the compressor inside holding cardboard.



When handling the cover, verify that the insulation on the top of the electrical box remains in position.

2.6 - Symbols used



Caution : contains a flammable refrigerant fluid.

Please respect all installation and handling precautions.



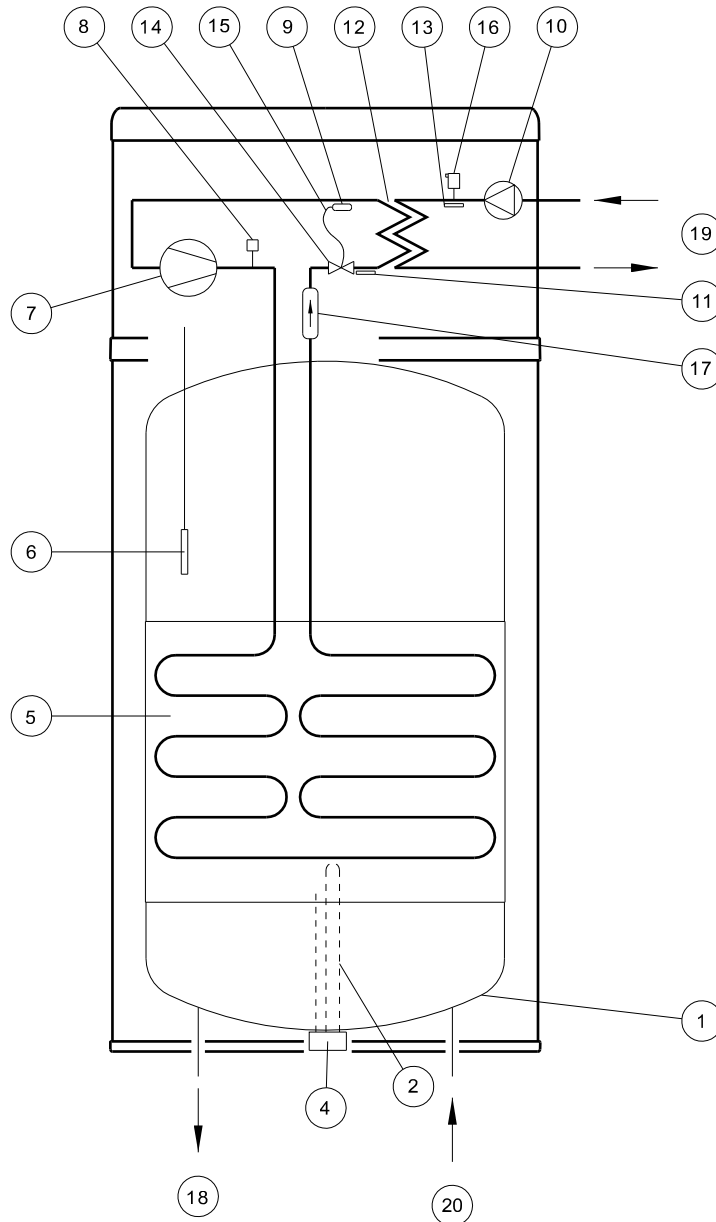
Consult the installation manual before carrying out any work on the appliance: handling, installation, use, or maintenance.



Contains regulated substances, do not dispose of in the garbage. In case of decommissioning, please follow all environmental regulations on the recuperation of all electrical and electronic equipment.

3 - OPERATING PRINCIPLE

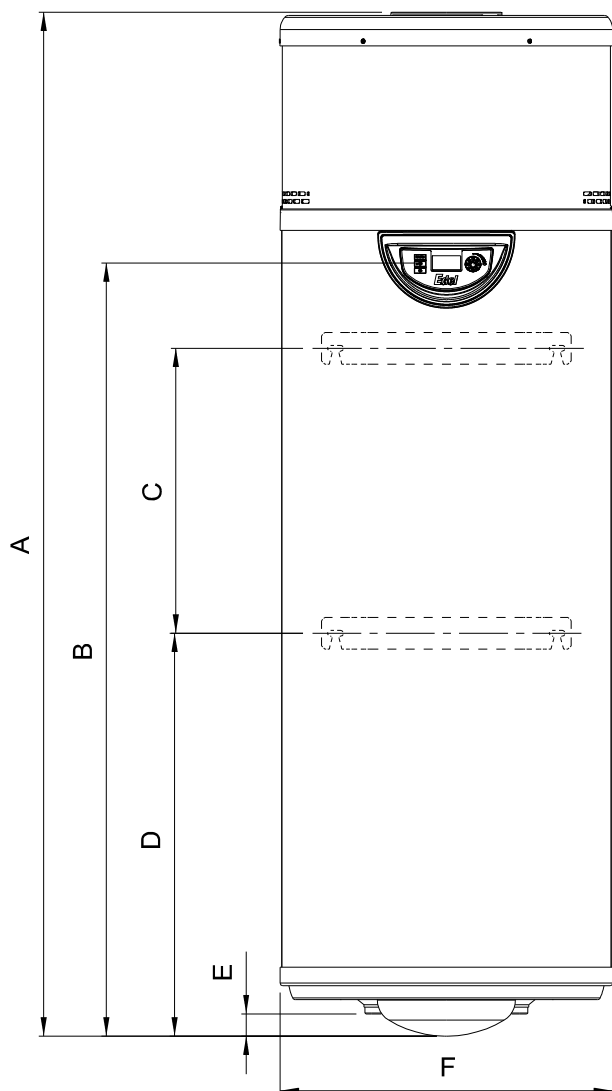
The domestic hot water heat pump is a small-capacity heat pump dedicated to the production of domestic hot water. The appliance uses the floor's returns for the capture of calories and then the bonuses to the water of the tank. That is made possible by the use of refrigerant fluid allowing the transfer from one medium to another. This appliance has the particularity of operating on the R290 gas, guaranteeing good thermodynamic performance and negligible environmental impact.



Rep.	Description	Rep.	Description
1	Tank	12	Evaporator
2	Electrical resistance	13	Floor sensor
4	Safety aquastat	14	Expansion valve
5	Capacitor	15	Capillary expansion valve
6	Domestic hot water sensor	16	Manual purger
7	Compressor	17	Drying filter
8	Pressure switch	18	Domestic hot water outlet
9	Expansion valve bulb	19	Heated floor inlet
10	Circulator		Heated floor outlet
11	Evaporator sensor	20	Domestic cold water inlet

4 - INTRODUCTION

4.1 - Dimensions



Ref.	Description	Dimension
A	Overall height	1617 mm
B	Display height	1221 mm
C	Distance between the two bracket	450 mm
D	First bracket	636 mm
E	Distance between the sanitary outlet and the appliance underside	35 mm
F	Tank diameter	525 mm

4.2 - EU declaration

This device complies with international electrical safety standards IEC 60335-1, IEC 60335-2-21, IEC 60335-2-40. The CE marking present on the device attests to its conformity with the following Community Directives, of which it meets the essential requirements:

- Low Voltage Directive (LV): 2014/35/EU.
- Electromagnetic Compatibility Directive: (EMC): 2014/30/EU.
- Ecoconception Directive for Energy-related products: 2009/125/EC.
- Limiting Hazardous Substances (ROHS): 2011/65/EU.

4.3 - Technical specifications and characteristics

		150 l
Heat pump performance		
Nominal volume	L	150
Max. input power	W	1400
Water temperature range	°C	+18 to +50
DHW* temperature with heat pump	°C	60
Max. heat pump power consumption	W	400
Water flow rate	l/h	250
Sound power level**	dB(A)	44
Refrigerant	-/kg	R290 /0.1
Global warming potential	kg	0.3 kg CO ₂ equivalent

Normative Data (EN 16147)		
Draw cycle	-	M
COP* (outdoor air +25°C)	-	3.8
Reserve capacity	W	16
Hot water reference temperature	°C	54.8
Heating time	-	6 h 00
Energy class	-	A+
Seasonal energy efficiency	-	155
V40	L	198.3
V40 td	L	477.6

Dimensions and connections		
Dimensions	mm	Ø525xH1618
Weight when empty	kg	57.5
Hydraulic connection diameters	-	F 3/8"
Connection diameter for DCW* and DHW*	inches	M 3/4"
Electrical power supply	V - Hz	230 V - 50 Hz
Protection rating	-	IPX1
Circuit breaker	A	10 (D-curve) or 16 (C-curve)

Tank		
Materials / protection	-	Enamelled steel
Maximum service pressure	MPa	0.6 (6 bar)
Built-in electrical back-up power (87°C safety setting)	W	1000
Max. temp with electrical back-up	°C	65

* DHW= Domestic hot water
DCW= Domestic cold water
COP= Coefficient of performance

** Sound levels tested in a semi-anechoic chamber

5 - INSTALLATION

5.1- Placement and positioning

5.1.1- Placement choice



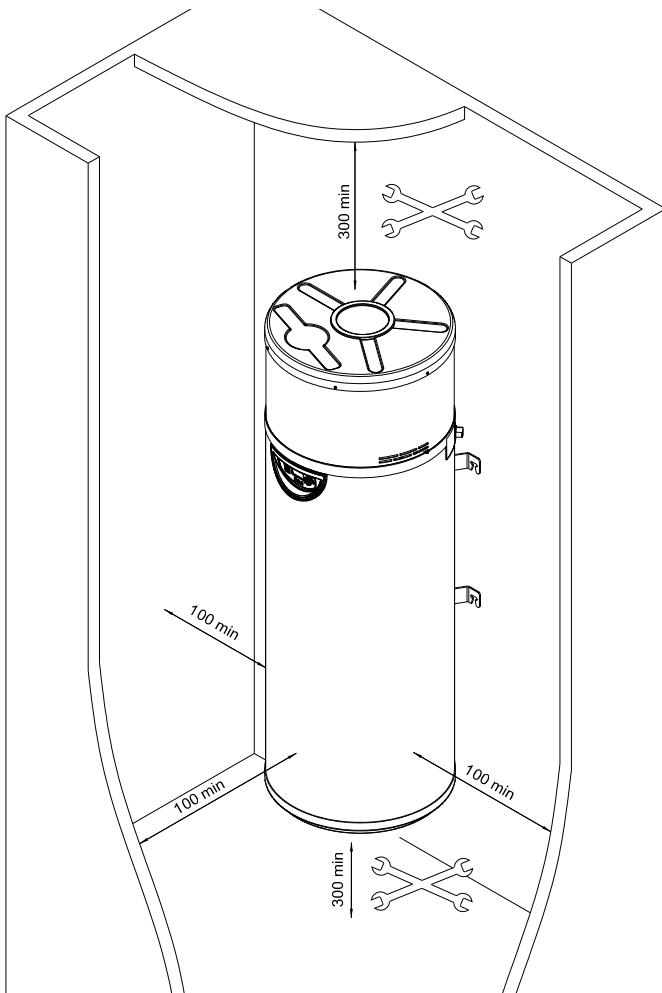
INSTALLATION PRECAUTIONS:

- The appliance must not be installed near a perpetual flame or other source of ignition.
- The appliance must be installed in such a way as to avoid mechanical damage.

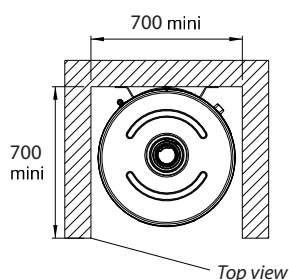
• It is FORBIDDEN to install the appliance:

- outside;
 - in rooms exposed to frost, or where the temperature is less than 5°C, including when the appliance is in operation;
 - in humid rooms with significant vapour emissions;
 - to operate the appliance with air intake which contains solvents or flammable materials.
- Avoid placing near bedrooms to reduce noise pollution.

5.1.2 - Positioning



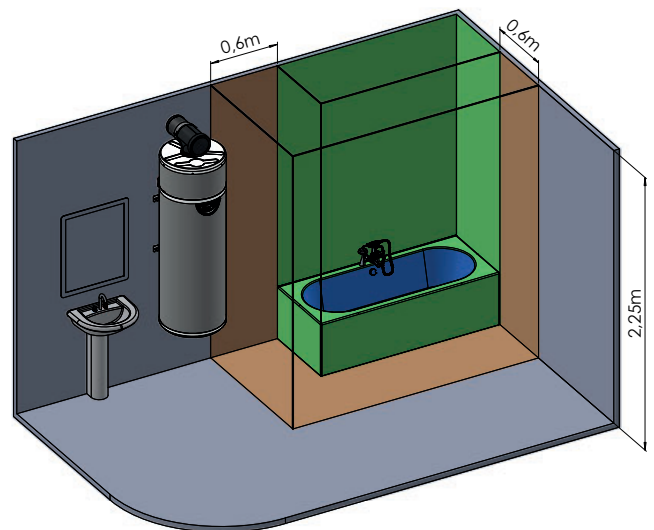
In this configuration it is recommended to loosen the lateral screws anchoring the upper cover of the installation in place.



If installing the domestic hot water heat pump in a bathroom, it is mandatory to follow the safety standards in regards to the placement of electric appliances.

The domestic hot water heat pump must not be close enough to be touched by someone who is in the bathtub or shower stall.

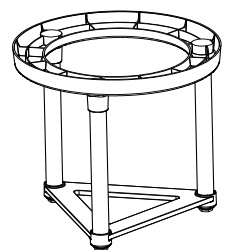
In a bathroom, it is forbidden to install the appliance at less than 60 cm from the bathtub/shower water area.)



5.1.3 - On-ground installation

A tripod (see § Options) allows to install the domestic hot water heat pump on the ground, in the case where the wall will not support the weight of the water heater.

The height of the tripod is adjustable from 300 mm to 515 mm. To adjust the tripod horizontally, each foot is equipped with an adjustment screw to be used for this purpose.

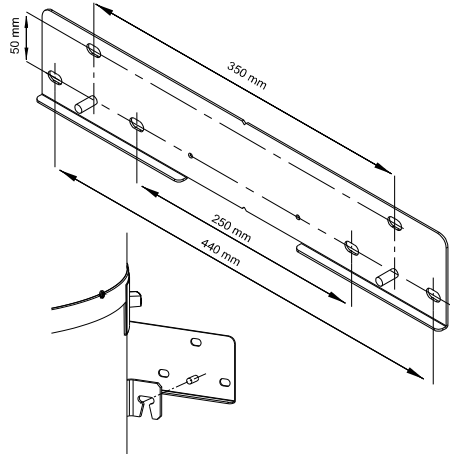


Even for on-ground fitting, the domestic hot water heat pump should be anchored to the wall to avoid any danger of tipping or falling.

5.1.4 - Wall mounting

For a durable and perfectly vertical anchoring, it is recommended to use the wall fastening bracket(s) (available as an optional extra).

This bracket is pre-drilled with various interaxial distances: 250 mm, 350 mm or 440 mm. This enables in part, a more durable wall mounting through the use of 4 fixation points instead of 2, and also allows for easier positioning with the use of a level.



Wall fastening bracket

Ensure the solidity of the wall to be able to support the weight of a full water heater.

Weight with water:

Water heater 150 l = 207.5 kg

Leave a space of 300 mm free under the appliance for access to the anode and the electrical back-up.

Before fitting the appliance:

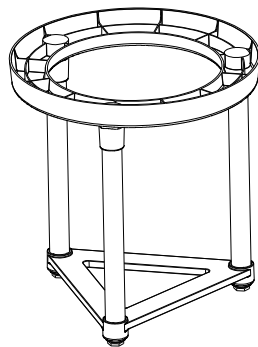
- Determine the position of the domestic hot water heat pump (see § «Positioning»)
- Position the drilling template against the wall (supplied with the appliance) with the use of a level.
- Mark out the position of the drill holes for the wall fastening bracket.
- Locate and drill the holes.
- Fix the bracket(s) while ensuring that the appliance is positioned horizontally.
- Mount the tank onto the wall fastening bracket(s) and tighten the screws.

5.1.5 - Options

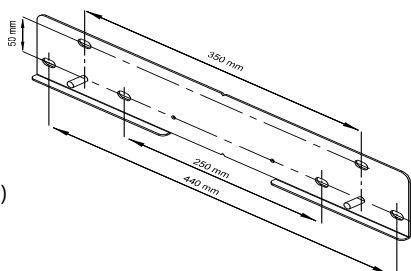
5.1.5.1 - Tripod for on-ground installation

Tripod with an adjustable height from 300 to 515 mm

(Ref: 730016)



5.1.5.2 - Wall fastening brackets

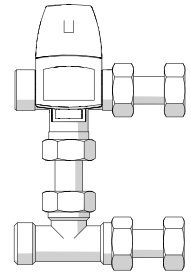


150 l

(Ref: 730018 x2)

5.1.5.3 - Primary circuit mixing valve

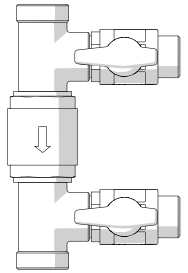
Primary circuit thermostatic mixing valve > 50°C
(Ref: 730010)



5.1.6 - Included accessory

5.1.6.1 - Hydraulic derivation module

Hydraulic derivation module
(Ref: B4591222)



5.2- Hydraulic connections to underfloor heating

The appliance is connected using the return flow of the underfloor heating network via a derivation module provided with the tank. In winter, the Edel draws heat from the return of the heating circuit until its set temperature is reached. To limit the impact on the heating capacity available in the coldest outdoor conditions, the heating emitter should be oversized by 1 kW.

5.2.1- Underfloor heating derivation module

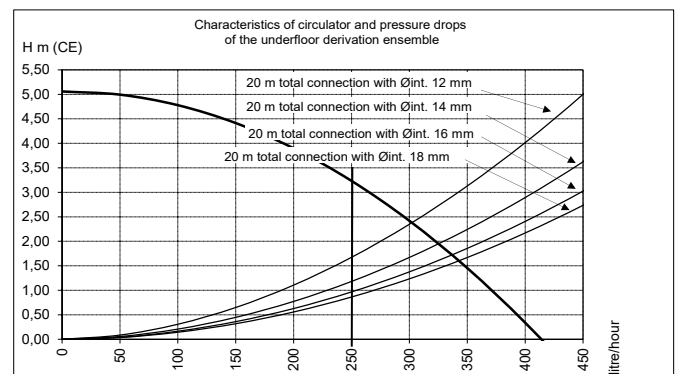
5.2.1.1- Description

The floor derivation module is a hydraulic accessory which is delivered as standard with the heat pump, which allows the connection of the domestic hot water heat pump to the water return flow from the underfloor heating circuit.

For water return over 50°C, installation of a primary circuit thermostatic mixing valve is necessary >50°C (see § Options).

5.2.1.2 - Underfloor heating derivation module circulator

Power consumption 10 W; electrical current required 0.05 A



The length and diameter of the plumbing inlet/outlet connection between the floor derivation module and the domestic hot water heat pump must be adapted to the circulator so that the flow drawn from the floor is more than 250 l/h.

Example above without thermostatic mixing valve: with 20 m of connection with an interior diameter of 14 mm, the total loss of load is 2.00 m for a flow rate of 325 l/h.

5.2.2 - Filter

It is recommended to install a filter on the inlet piping of the water heater to protect the circulator and the plated heat exchanger.

5.2.3 - Radiators

The domestic hot water heat pump is not compatible with a radiator circuit (the volume of water in the radiators is insufficient, and condensation will form on the surface of the radiators during the summer months).

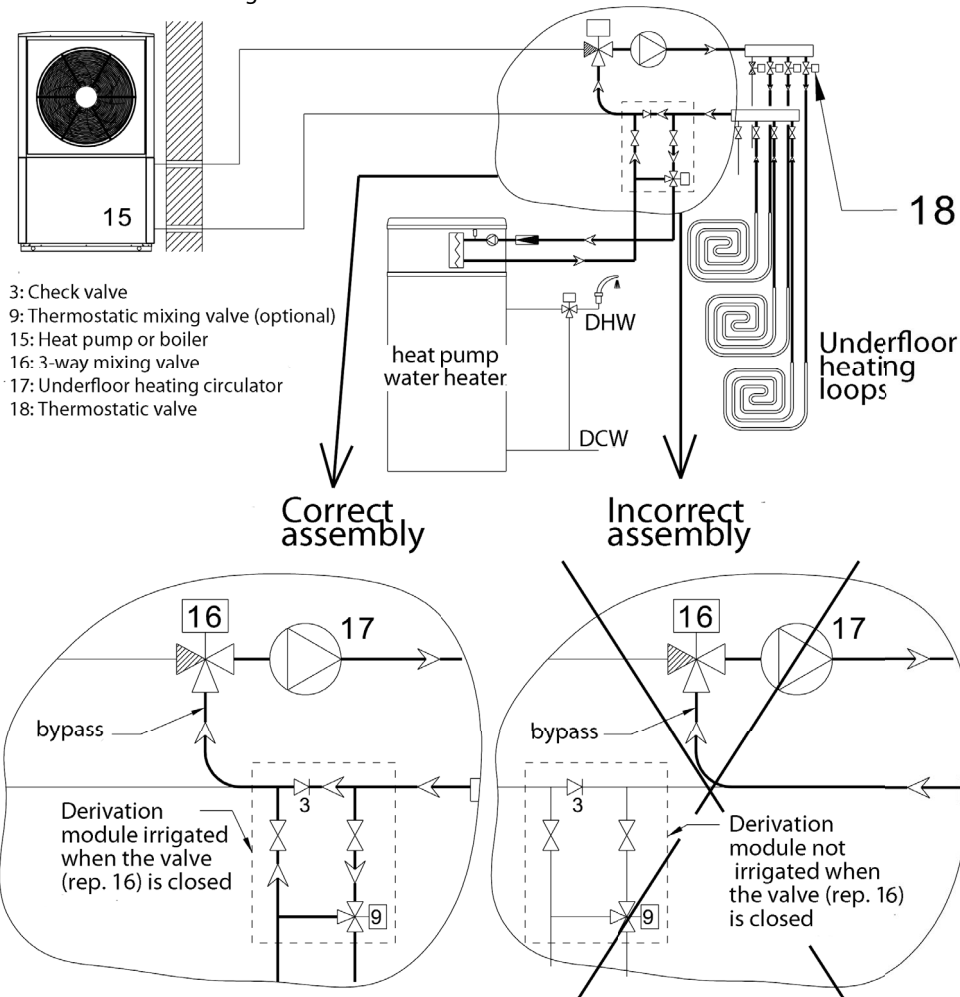
5.2.4 - Minimum surface area for underfloor heating

To avoid operation of the heat pump using the electrical back-up instead of the heat pump, a minimum surface area for underfloor heating should be respected according to the capacity of the appliance:

Domestic hot water heat pump	Minimum surface area of underfloor heating
150 l	60 m ²

5.2.5 - 3-way mixing valve for underfloor heating circuit

With the presence of a 3-way mixing valve (rep.16), it is **imperative** to place the derivation kit between the underfloor heating collector and the 3-way valve bypass as indicated on the diagram below:



5.2.6 - Thermostatic mixing valves equipping the water loops of the underfloor heating circuit

If there are thermostatically controlled valves equipping the recirculating pumps for the underfloor heating circuit on the appliance, (rep.18), leave them permanently open (by manually opening them or by disassembling the thermostatic head).

The permanently irrigated flooring should have the minimum surface area necessary for the capacity of the appliance.

This is to avoid damaging the circulator equipping the domestic hot water heat pump and limits the running of the electrical back-up instead of the heat pump.

5.2.7 - Underfloor heating circuit circulator

To help the circulator equipping the domestic hot water heat pump if it is distanced from the derivation module (long distance or the diameter of connection is too weak), let the underfloor heating circuit circulator (rep.17) run permanently, summer and winter.

This allows to limit operation of the appliance using the electrical back-up instead of the heat pump.

5.2.8 - Treatment of the water in the heating circuit



It is MANDATORY to read the additional document concerning the quality of water used for filling the installation. This document is included with this manual as well as in the packet with the warranty information.

This document also contains information which is PERTINENT to the WARRANTY of the material.

If the domestic hot water heat pump is connected to an installation with existing underfloor heating, it is necessary to thoroughly rinse and treat the installation.

5.2.9 - Filling water

The materials used for the production of a heating circuit have differing properties. These properties can create a phenomena of corrosion through the creation of a galvanic bridge in new installations as well as in older ones.

The filling of the water circuit must be done only with water from the domestic water network using untreated water (no softener). Using water from any other source (well water, rain water, etc..) will render the warranty null and void.

5.2.10 - Treatment of the heating circuit



Central heating systems MUST BE CLEANED to eliminate debris (copper, fibres, soldering fluxes) related to set-up and installation, as well as to avoid chemical reactions between the metals.

It is also important to TO PROTECT THE CENTRAL HEATING SYSTEM AGAINST RISKS OF: CORROSION, LIMESCALE, AND MICROBIAL DEVELOPMENT by using an APPROPRIATE corrosion inhibitor for all types of installations (steel or cast-iron radiators, underfloor heating). PRODUCTS USED FOR THE TREATMENT OF HEATING WATER USED MUST COMPLY WITH ALL NATIONAL STANDARDS IN THE COUNTRY OF INSTALLATION.

We recommend the use of products in the SENTINEL range for preventative and curative treatment of the heating circuit.

• **For new installations : (less than 6 months old):**

- Clean the installation with a universal cleaner to eliminate the debris from the installation (copper, fibres, soldering fluxes) Example: SENTINEL X300 or SENTINEL X800.
- Thoroughly rinse the installation until the water runs clear, with no traces of impurities left.
- Protect the installation against corrosion with a corrosion inhibitor, example: SENTINEL X100. Or against corrosion and freezing with an inhibitor with an anti-freeze additive. Example: SENTINEL X500 or SENTINEL R600.

• **For existing installations:**

- Desludge the installation with a desludging product to eliminate any sludge from the installation. Example: SENTINEL X400 or SENTINEL X800.

- Thoroughly rinse the installation until the water runs clear, with no traces of impurities left.
- Protect the installation against corrosion with a corrosion inhibitor, example: SENTINEL X100. Or against corrosion and freezing with an inhibitor with an anti-freeze additive. Example: SENTINEL X500 or SENTINEL R600.

Corrosion inhibitor:

- protects against the formation of limescale
- prevents «pinhole» type corrosion
- prevents in new installations, the formation of sludge and the proliferation of bacteria (in low temperature networks: algae)
- prevents the formation of hydrogen
- eliminates the sound of the generators

Treatment products from other manufacturers can be used if they guarantee that the product is appropriate for all the materials used in the appliance and offers efficient resistance to corrosion. To find this information refer to their user manual.

5.2.11- Purging the installation

The oxygen present in the air is extremely corrosive. Therefore, for a permanent purging of the installation to be effective, place automatic or manual air purgers at each high point of the installation, and manual purgers on each radiator.



RENDERING THE WARRANTY NULL AND VOID

All deterioration of the appliance due to an inappropriate quality of water and/or the presence of corrosion in the absence of treatment products as described above, and/or an improper purging of air of the installation will render the warranty null and void.

- Connect the floor derivation module to the return flow of the underfloor heating of the installation. Take care of the proper orientation of the check valve (see § «Underfloor heating derivation module» and «Description»).

5.3 - Connection to the domestic water supply

- A **new** pressure-relief valve (not included) **must be installed** and set to 6 bar on the domestic cold water supply of the appliance. The use of a membrane valve is recommended. This valve must conform to all local and national standards.
- The pressure-relief valve should be installed as close as possible to the appliance's cold water inlet and the water flow **should never be hampered by any accessory** (valve, pressure-reducer, etc.).
- The pressure-relief valve drainage outlet should be sized according to building regulations and standards and must never be obstructed. It should be connected to a vertically draining pipe, using a funnel which allows an open space of at least 20mm and which is at least equal in diameter to the appliance's piping connection.
- The pressure-relief valve drainage outlet must be installed in a frost-free place and in a downward-sloping position.
- If the pressure of the domestic cold water supply is higher than 5 bar, a pressure-reducer should be installed above the pressure-relief valve near the starting point of the installation (a pressure of 3-4 bar is recommended).
- It is advised to fit a shut-off valve above the pressure-relief valve.
- For installations equipped with:
 - piping of a small diameter
 - ceramic plate valves

A domestic water expansion vessel, or anti-hammer valves which are adapted to the installation should be installed as close as possible to the shut-off valve.

• **The following materials should be used for the domestic hot water circuit:**

- copper
- stainless steel
- brass
- plastic

If the materials used in the domestic hot water circuit are incompatible, corrosion damage may occur.

Domestic hot water pipes **with a cast-iron or steel link, or with dielectric fittings** (supplied) to avoid an iron/copper galvanic bridge.

- Thoroughly flush the supply line piping before connecting the appliance to the domestic installation so as not to introduce any particles, metallic or other, into the appliance.
- Respect the standards in effect in the country of use, notably domestic water regulations and pressure safety regulations.
- The maximum domestic hot water temperature at the distribution points should never surpass 50°C for toilets, and 60°C for other uses. Adequate thermostatic mixing valves should be installed to avoid risk of burns.
- In regions with extremely hard water (TH>25°F), it is recommended to treat water with a softener. The softened water must respect the criteria defined by the DTU 60-1 (TH>12°F).
- The appliance must operate using water with a TH between 12°F and 30°F. In regions with extremely hard water (TH>25°F), it is recommended to treat water with a softener.
- Not following the conditions shown below, see DTU 60-1, will lead to the warranty of the tank to be rendered null and void (the values are given for a water at 20°C).

Resistivity	<2200Ωcm or >4500Ωcm	
Complete alkalimetric title	<1.6 meq/L	8°F
CO ₂	>15 mg/L	-
Calcium (Ca ⁺⁺)	<1.6 meq/L	8°F
Sulphates (SO ₄ ⁻)	>2 meq/L	10°F
Chlorides (Cl)	>2 meq/L	10°F
Sulphates and Chlorides(SO ₄ ⁻ +Cl)	>3 meq/L	15°F



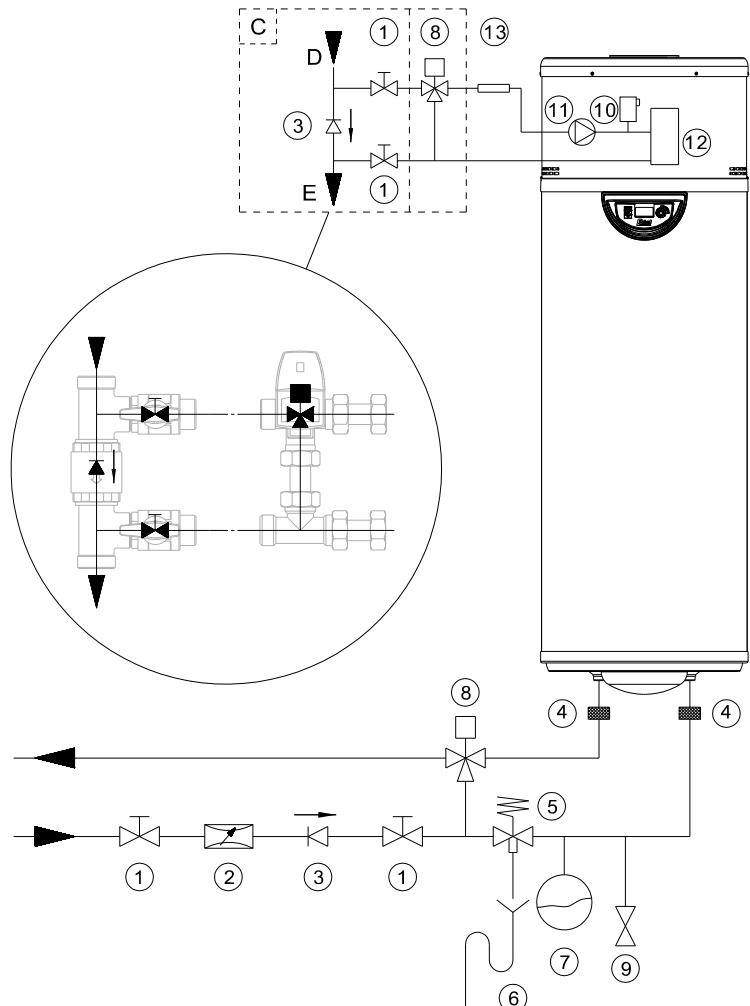
The warranty does not apply if any of these points have been neglected or if the water quality did not allow correct treatment within the legal framework or if regular inspections of the anode are not carried out.



The use of a recirculation pump is strongly discouraged. This appliance is not designed for use with a recirculation pump. Use of a recirculation pump will cause a significant lowering of the temperature of the water in the tank.

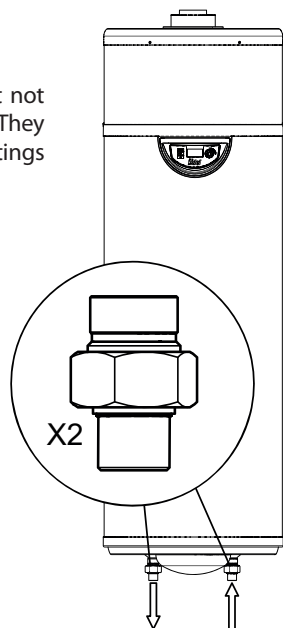
- A. Domestic hot water (DHW)
- B. Domestic cold water (DCW)
- C. Derivation module
- D. Underfloor heating
- E. To the heating unit return

1. Stop valve
2. Pressure reducer
3. Check valve
4. Dielectric fittings (supplied)
5. Pressure-relief membrane valve (not supplied)
6. Run-off siphon
7. Domestic expansion vessel
8. Thermostatic mixing valve
9. Drainage valve
10. Manual purger
11. Water supply circulator
12. Coaxial heat exchanger (evaporator)
13. Filter (not supplied)



It is recommended to install a filter on the domestic hot water heat pump inlet piping to protect the circulator and evaporator. It protects and extends the life of the components. A minimum annual cleaning of the components is necessary.

Domestic water connections must not be connected directly to the pipes. They must be fitted with a dielectric fittings (supplied with the appliance).



5.4 - Electrical connections



Do not connect the domestic hot water heat pump to the electrical line of a pre-existing water heater which used the peak / off-peak hours contact. The domestic hot water heat pump must be permanently connected to the power supply, and the peak / off-peak control is done by either programming, or through the use of an independent cable. Grounding is mandatory.

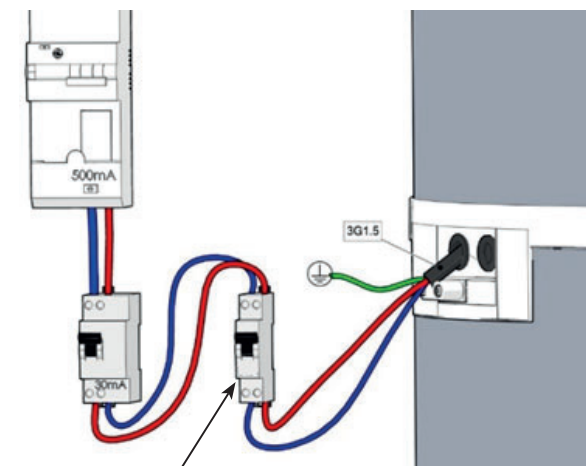
Power supply = 230 V single phase + ground.

The power supply should comply with all regulations in effect in the country of installation, as well as the NFC 15-100 standard.

A means of disconnection providing a complete break under category III conditions must be provided in the fixed pipework in accordance with the installation rules.

The domestic hot water heat pump power supply must be protected by a dedicated circuit breaker. The value of this circuit breaker must be adapted to the power rating of the domestic hot water heat pump.

At the very least, we recommend using a 10 A D-curve circuit breaker to protect the power supply dedicated to the domestic hot water heat pump. They can also be connected to a line protected by a conventional 16 A C-curve circuit breaker.



10 A (D-curve) or 16 A (C-curve)

If the power cable is damaged, it must be replaced by the manufacturer, its after-sales service or a similarly qualified person in order to avoid a hazard.

5.4.1 - External control



Only an external connection using a voltage free «dry contact» is authorised, otherwise there is a risk of damaging the electronic circuit board.

It is not necessary to connect the electricity meter's timer switch to program the domestic hot water heat pump for peak/off-peak time operation.

The appliance's control panel can be used to program time slots for the domestic hot water heat pump or for the electrical back-up to run (see § «Programming» for daily programming options).

5.4.1.1 - Peak / Off-peak hours contact and control

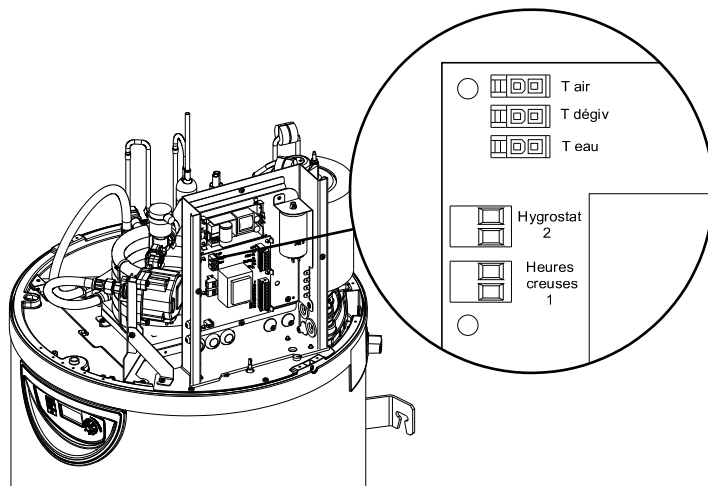
It is also possible to connect the electricity provider dry contact to the domestic hot water heat pump without using programming.

- Contact open = Load shedding
- Contact closed = Normal operation

The load shedding level can be selected and programmed for the appliance (see § «Load shedding»).

By default, the electrical back-up does not run during peak hours.

- Remove the protective casing.
- Remove the black cover from the electronics board.
- Pass a 0.75 mm² 2-wire cable with metal tips through a cable gland at the back of the appliance and bring the end of the cable around to the electronics board. The other end of the cable should be connected to the timer switch.
- Insert the 2-wire cable through a grommet from the electronics box.
- Connect the 2-wire cable to «Input 1» indicated on the electronics board, having removed the existing red bridge beforehand.



5.4.1.2 - Electricity provider contact

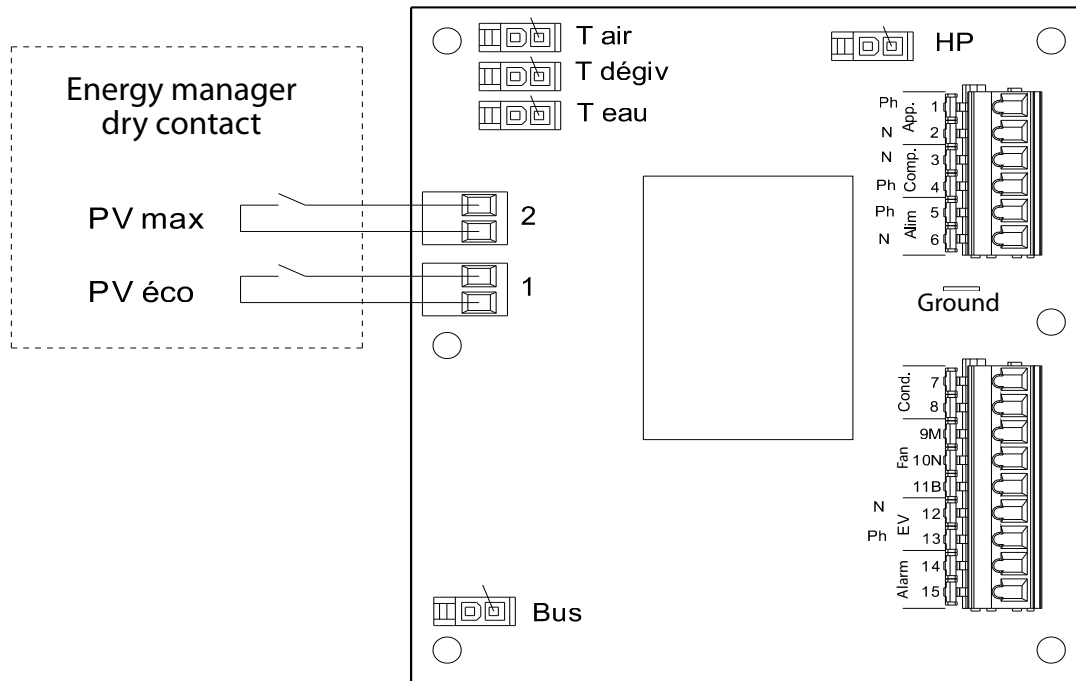
To prevent the electrical back-up from running during peak hours, connect the dry contact originating from the electricity counter, to terminal 1.

- Contact open = Back-up not allowed to run
- Contact closed = Back-up allowed to run

By choosing load shedding level 0 or 1 (see § «Load shedding»), you stop the electrical back-up alone from running (load shedding =1) or the heat pump and the electrical back-up from running (load shedding = 0).

- Pass a 0.75mm² 2-wire cable with metal tips through a cable gland at the back of the appliance and bring the end of the cable around to the electronics board. The other end of the cable should be connected to the timer switch.
- Insert the 2-wire cable through a grommet from the electronics box.
- Connect the 2-wire cable to «Input 1» indicated on the electronics board, having removed the existing red bridge beforehand.

5.4.1.3 - Connection to the photovoltaic (PV) function



This function enables the appliance to operate in auto-production mode, which means that it will use the energy produced by the PV function to supply the heat pump as well as the electrical back-up, and to heat the water in the tank. The connection is made between the energy manager electrical box (not supplied) and connectors 1 and 2 on the electronics board.

- Remove the protective casing.
- Remove the black cover from the electronics board.
- Connect the PV function cable to connector 1 on the electronics board.
- If the PV function regulator has two control contacts, connect them to connectors 1 and 2 on the electronics board. See § « Electrical box electrical diagram » in the appendix.
- Terminal 1: a low level of electrical energy is produced by the PV function.
- Terminal 2: a high level of electrical energy is produced by the PV function.



CAUTION: Connectors 1 and 2 are for DRY CONTACTS ONLY. They must NEVER be connected to 230V.

To optimise the performance of the heat pump in PV mode, we recommend programming an activation time of at least 1 hour via the energy manager.

6 - SET-UP AND USE

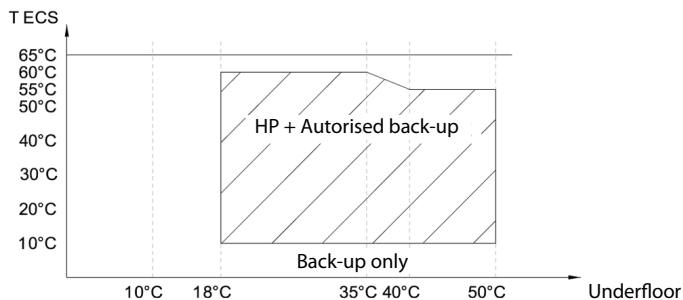


Deterioration risk: it is imperative to fill the tank with water before switching on the appliance or connecting it to the electrical supply.

- Leave the appliance unplugged.
 - Open the hot water valve located at the highest point of the installation.
 - Open the cold water inlet located on the safety group.
 - Fill the tank until water is coming out of the hot water valve located at the highest point of the installation.
 - Close the hot water valve
- Before turning on the appliance, verify that the entire circuit is watertight.

The domestic hot water heat pump operates **primarily with the heat pump** as long as the temperature of the water from the underfloor heating return flow is between 18°C and 50°C. Once the temperature is lower than 18°C or over 50°C, the water is no longer heated by the heat pump, but by the electrical back-up.

The temperature of the domestic hot water provided by the heat pump is adjustable to up to 60°C.

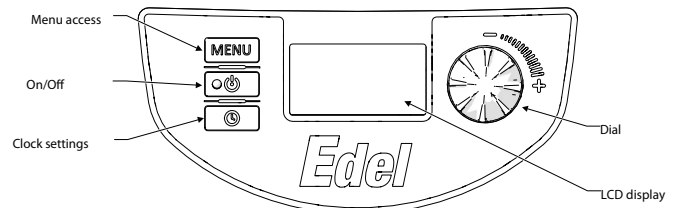


In the case of high domestic hot water consumption, the domestic hot water heat pump has a comfort function, $T^{\circ}C_{MINI}$ which increases the heating capacity when there is less than 1/3 of the tank's volume left at over 38°C (see § « $T^{\circ}C_{MINI}$ - minimum temperature-»). There is also a setting to activate the electrical back-up if the heating time is too long (see § « $MAX TIME$ »).

If more domestic hot water is required from time to time, the domestic hot water heat pump has a «*BOOST*» function (activated by the user) which ensures that the water heats to the desired temperature (for example: 50°C) quickly with the help of the heat pump and electrical back-up. This function is deactivated as soon as the required temperature is reached (end of heating cycle).

From time to time, check that there are no alerts (in case of an alert, please refer to § «Error message codes»).

6.1 - Control panel



Symbols and their designation:

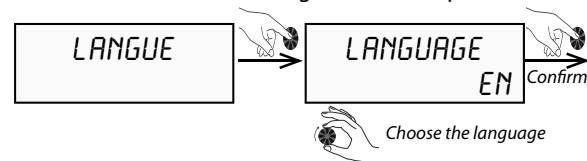
 Compressor operating	 Holiday mode in progress
 Electrical back-up operating	 Keyboard locked
 Domestic hot water requested	 Regulation or display of a parameter in progress
 Comfort mode in progress	 Photovoltaic mode activated
 Eco mode in progress		
 Frost protection mode in progress		

123...7.Date

6.2 - Setting the language

The language must be selected when the appliance is turned on for the first time. Turn the dial to the left and select «English». Confirm your choice by pressing on the dial. Access to the «*LANGUAGE*» menu is always possible.

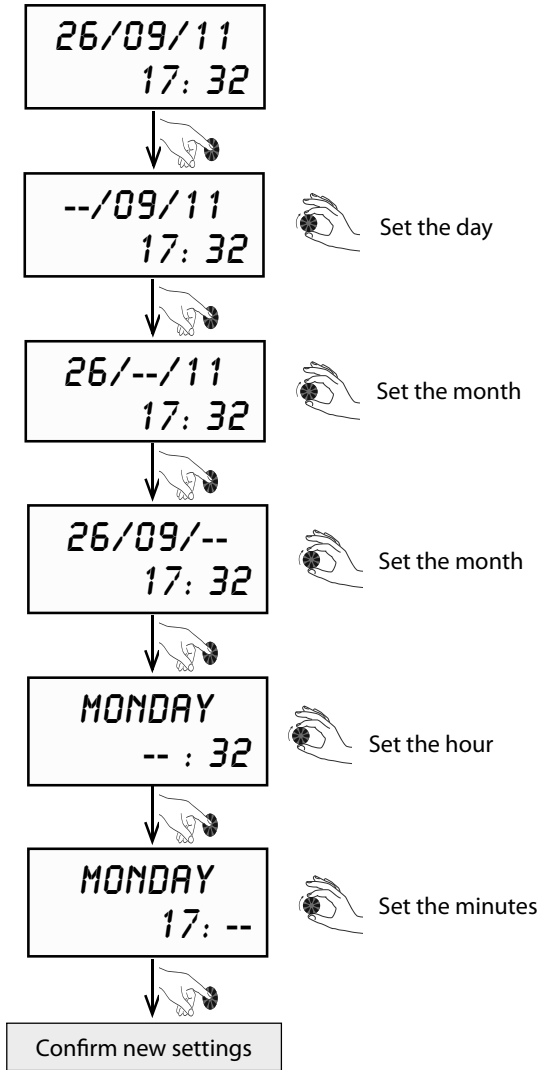
- Press **MENU**
- Turn the dial to scroll through the menu options:



- Press **MENU** to return to the main menu.

6.3 - Setting the time and date

- Direct access by pressing «Clock settings» 

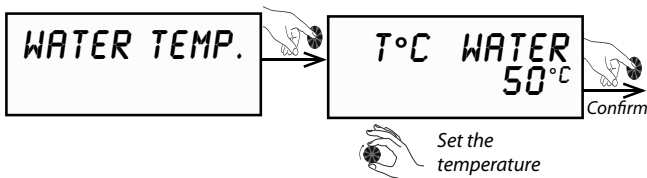


6.4 - Setting the desired water temperature

6.4.1 - PV Mode deactivated

The water temperature can be adjusted from 30°C to 65°C. Up to 60°C, the water is heated using only the heat pump. From 60°C to 65°C, the electrical back-up takes over.

- Press **MENU**
- Turn the dial to scroll through the menu options:



- Press **MENU** to return to the main menu.

ACCU+ mode

If the domestic hot water set-point is higher than that accepted by the heat pump, the product switches to «ACCU +» mode. The «ACCU +» function increases the amount of water in the product while maintaining minimum heat pump operating time.

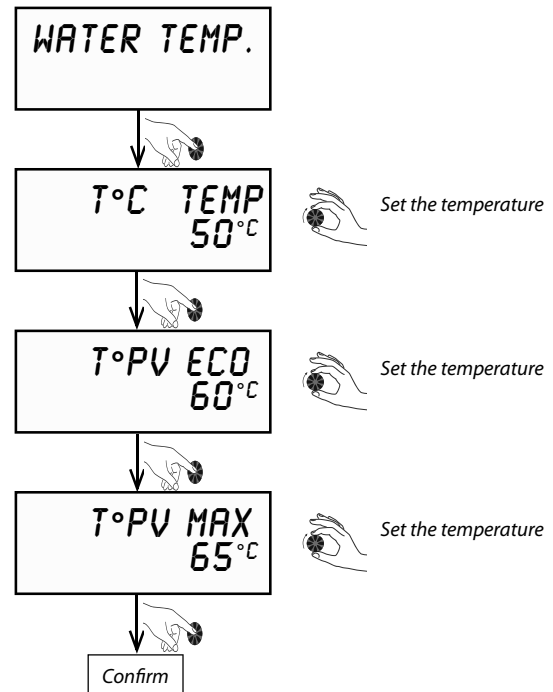
- In order to get the best results from your heat pump, it is recommended that you do not set the water temperature too high unless necessary. The default temperature is set at 55°C.

! If the water temperature is set at 50°C or below, we recommend programming an anti-Legionella cycle.

6.4.2 - PV Mode activated

When PV mode is activated, the water temperature can be set to a higher level to favour operation during periods of photovoltaic production.

- Press **MENU**
- Turn the dial to scroll through the menu options:



- Press **MENU** to return to the main menu.

The settings are available according to the following reasoning:

$$\text{TEMP} \leq \text{T}^\circ \text{PV ECO} \leq \text{T}^\circ \text{PV MAX} \leq 65^\circ \text{C}$$

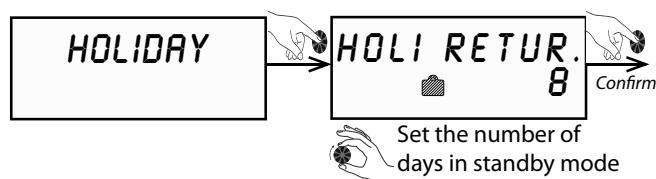
T°PV ECO 60°C The heat pump heats the water in the domestic hot water tank to a higher temperature than the usual hot water temperature (mode «PV ECO»)

T°PV MAX 65°C The heat pump and the electrical back-up heat the water in the domestic hot water tank to a higher temperature than the PV ECO mode (mode «PV MAX»)

6.5 - Holiday/temporary standby mode

«*HOLIDAY*» mode puts the appliance on standby while the frost protection mode remains active. This function can be programmed to run between 1 and 99 days, and is in effect as soon as the number of days is confirmed.

- Press **MENU**
- Turn the dial to scroll through the menu options:



- Press **MENU** to return to the main menu.
- «*HOLIDAY*» mode switches off automatically when the number of set days has ended. While in «*HOLIDAY*» mode **the domestic hot water heat pump** displays «*HOLI. RETURN*» on the screen, as well as a countdown of the days remaining in standby mode.

6.6 - BOOST mode

(for occasional use and guaranteed comfort)

The «*BOOST*» function temporarily forces the electrical back-up and the heat pump to operate at the same time to speed up the heating time during a heating cycle. The «electrical back-up» symbol ⚡ flashes while it is activated.

- Press **MENU**
- Turn the dial to scroll through the menu options:
- Press **MENU** to return to the main menu.



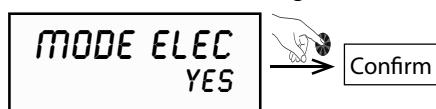
The screen will flash for a while and any actions on the keys will make it flash again.
The «*BOOST*» function is automatically deactivated as soon as the set temperature is reached (end of heating cycle).

6.7 - Electric mode

(for operation using only the electrical back-up)

Electric mode «*ELEC MODE*» uses only the electrical back-up to heat the water in the domestic hot water heat pump. It provides a back-up option if for any reason the heat pump is not running (piping not connected, dusty renovation work being carried out near the appliance...)

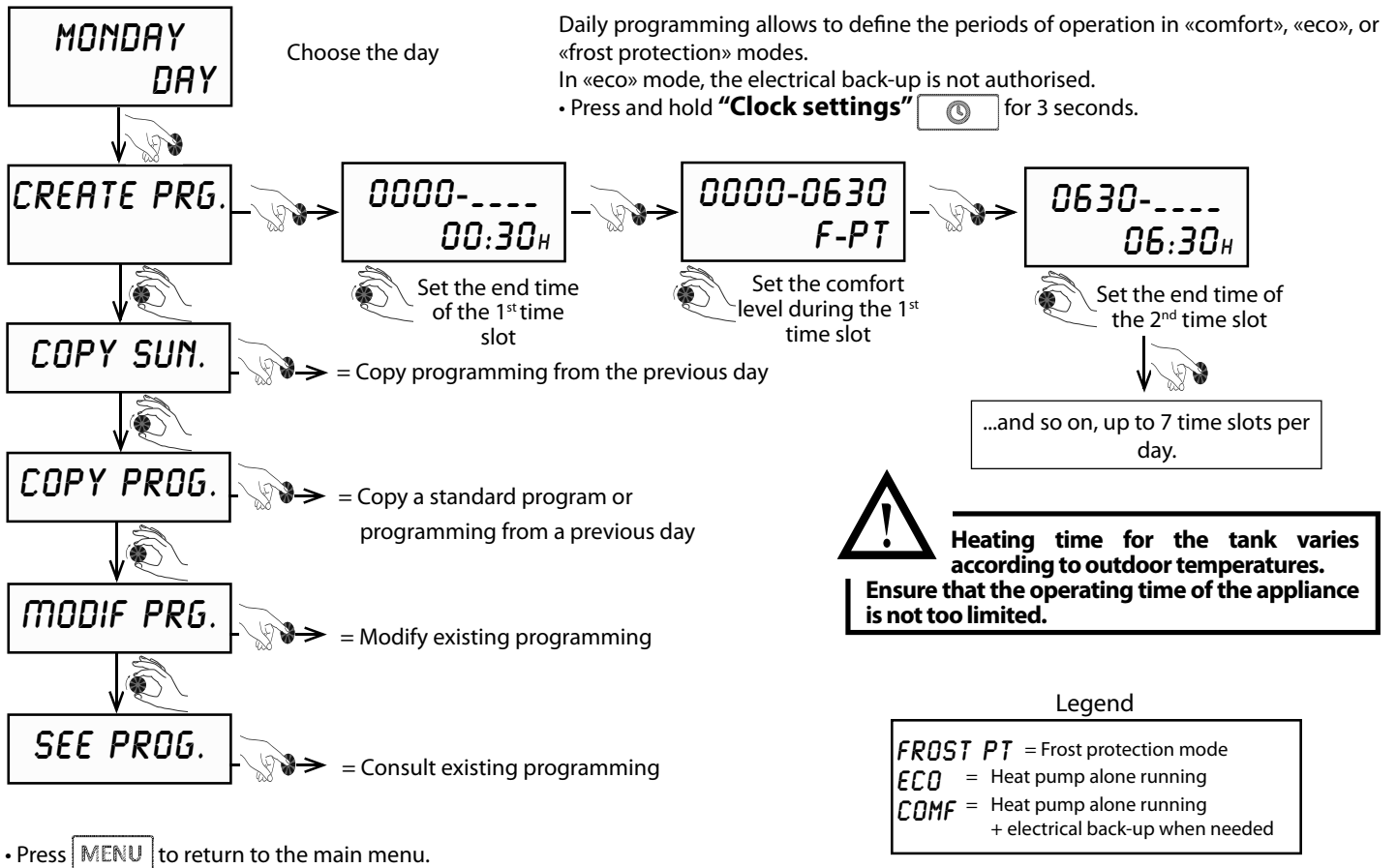
- Press **MENU**
- Turn the dial to scroll through the menu options:



- Press **MENU** to return to the main menu.

The screen will flash for a while and any actions on the keys will make it flash again.


6.8 - Programming



6.9 - INSTALLER menu

It may be necessary to adjust certain temperature settings to optimise the performance of the **domestic hot water heat pump**, depending on how the appliance is installed.

Accessing the installer menu:

- Press 
- Turn the dial until **«INSTALLER MENU»** is displayed.
- Press the **«Clock settings»** and **«Menu»** buttons **at the same time**.
- **Keep both buttons pressed down** for 3 sec. until the screen displays **«PV MODE»**.

MODE PV 


To activate the photovoltaic function

SETTINGS 


To set installation parameters

RESET.PARA. 

To reset parameters to default settings

DISPLAY 

To display the temperatures of the different sensors and inlets

COUNTERS 

To consult the counters in operation

6.9.1 - PV mode

Parameter	Description	Unit	Time range	Factory setting
MODE PV	Activation of photovoltaic mode	-	yes no	no
PRIORITY	Interval of anti-legionellosis cycles	-	yes no	yes

1. If the **PV mode** regulator is connected to terminals 1 and 2 on the electronics board, **PV mode** must be activated.

- The electrical energy which is produced is stored in the form of hot water. The PV function can be set to two different levels of production.
- **PV ECO** = the lower level of photovoltaic energy production. The heat pump generates a higher water temperature. The hot water temperature must be somewhere between the regular hot water temperature and 55°C (factory setting = 55°C).
- **PV MAX** = the higher level of photovoltaic energy production. The heat pump and electrical back-up generate a higher water temperature. The hot water temperature must be somewhere between the **PV ECO mode** hot water temperature and 65°C (factory setting = 65°C).

2. Turn the dial to select the mode :

- **Menu** → **INST. MENU** → **PV mode**

3. Select **« yes »**

4. Press on the dial to confirm your selection.

5. Press **Menu**.

6. Set the desired domestic hot water temperature.

7. Turn the dial to define the priority:

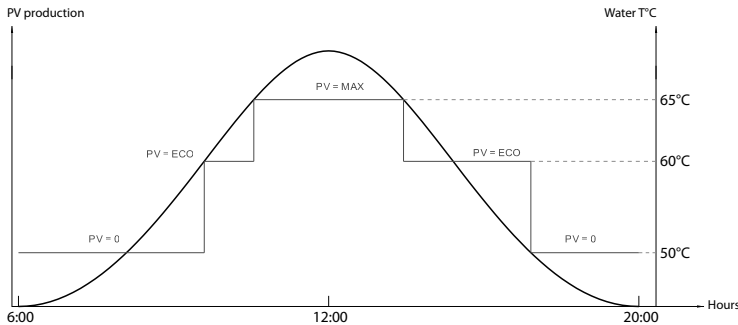
- Menu → INST. MENU → PV MODE → PRIORITY

- **Yes:** the signals from terminals 1 and 2 have priority over frost protection and **eco mode**.
- **No:** frost protection and eco mode have priority over the signals from terminals 1 and 2.

Note: If the priority is given to **PV mode**, the domestic hot water is heated outside of defined hours (for example in holiday mode and outside of programmed time slots). If domestic hot water must only be heated during authorised time slots, set the priority to **no**.

8. Press on the dial to confirm your choice.

Example: T°C water = 50°C + T°PV ECO
 = 60°C + T°PV MAX
 = 65°C



6.9.2 - PERF mode

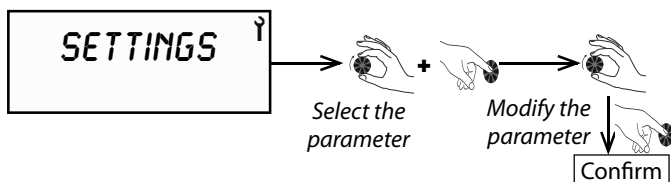


Allows to find the conditions of the performance test.
 Factory settings: No.



Performance mode does not improve the product's performance, but returns it to the settings used during normative testing. Do not activate this function!

6.9.3 - Setting the operating parameters

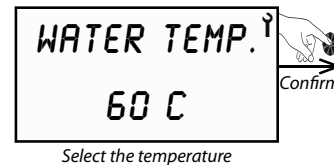
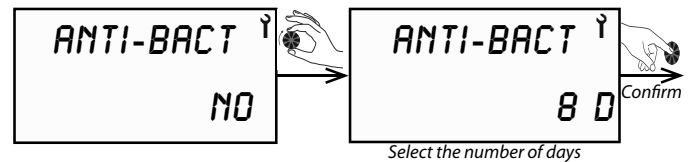


Parameter	Description	Unit	Time range	Factory setting
ANTI-BACT	Time interval for anti-legionellosis cycle	days	0-99	0
FAN MODE	Fan mode	-	1,2, or 3	1
T°C MINI	Min. temp for electrical back-up	-	0 or 1	0
SHEDDING	Load shedding level	-	0,1,2	1
MAX. TIME	Max. heating time	hours	No, auto, 1 to 24	No
TEMP MIN	Underfloor low temperature	-	Yes or No	No

• Press **MENU** to return to the main menu.

6.9.3.1 - ANTI-BACT Anti-legionellosis cycle

Factory setting - ANTI BACT = NO
 Factory setting - WATER TEMP. = 60 C

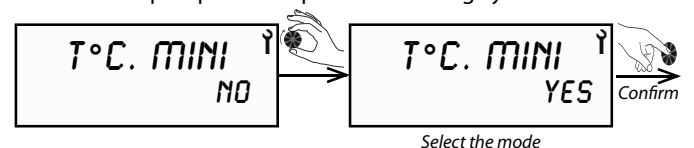


Example:
 ANTI-BACT = 8,
 WATER TEMP. = 60 C
 The anti-legionellosis cycle will run every 8 days at 22h.

- Press **MENU** to return to the main menu.
- If the set temperature for domestic hot water is already 60°C (see § «Setting the desired water temperature»), there will be no anti-legionellosis cycle as it is already running continuously.
- If a cycle is interrupted by a period where the back-up is not allowed to run (electricity provider signal or programmed time slots) it will relaunch during the next authorised period.
- No anti-legionellosis cycle except when returning from holidays and after a frost protection period of more than 3 days.
- During the anti-legionellosis cycle the temperature is raised between 55°C and 70°C by the heat pump.

6.9.3.2 - T°C. MINI Minimum temperature

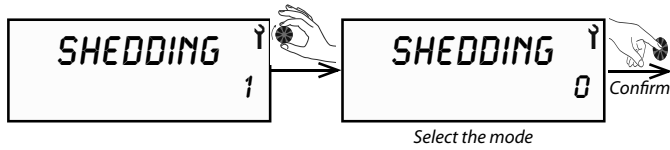
The electrical back-up can be activated at the same time as the heat pump to prevent the water temperature from falling below a minimum comfort level of 38°C. The electrical back-up will start up and raise the water temperature to 43°C, and then it will switch off and the heat pump will complete the heating cycle.



- This function is deactivated by default.
- In case of load shedding, the «T°C MINI» function is deactivated.
- Press **MENU** to return to the main menu.

6.9.3.3 - LOAD SHEDDING Level of operation authorised during peak time

When load shedding is activated you can choose to prevent certain elements from running (Electrical back-up and compressor).



If load shedding is switched on:

MODE 0 = No element is allowed to operate

MODE 1 = Only the heat pump is allowed to operate

MODE 2 = The heat pump and back-up are allowed to operate (neutralising the «peak hours» function)

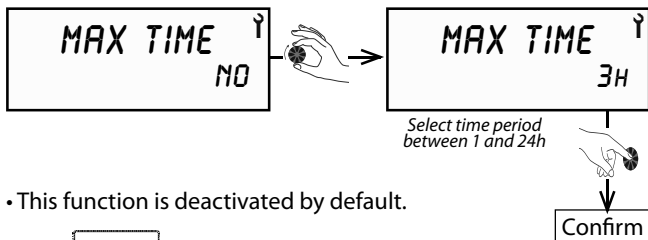
If PV mode is activated, load shedding from the (HP/HC) dry contact is not available. In this case it is necessary to use the programming of time slots (see § «Programming»).

- Press **MENU** to return to the main menu.

6.9.3.4 - MAX TIME Maximum heating time

It is possible to select the length of the desired heating time. The domestic hot water heat pump can automatically use the electrical back-up at the same time as the heat pump to speed up the heating time of the tank.

If you choose **MAX TIME = AUTO**, the heating time is limited to a maximum of 5h during off-peak hours.



- This function is deactivated by default.

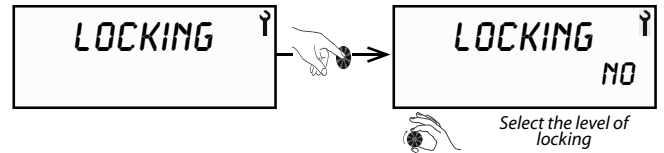
- Press **MENU** to return to the main menu.

6.9.4 - Locking the keyboard

Automatic and permanent locking

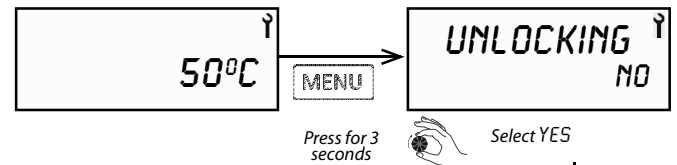
The «**LOCKING**» menu enables you to create three possible levels of locking for accessing the menus.

In the «**Installer**» menu turn the dial to «**LOCKING**».

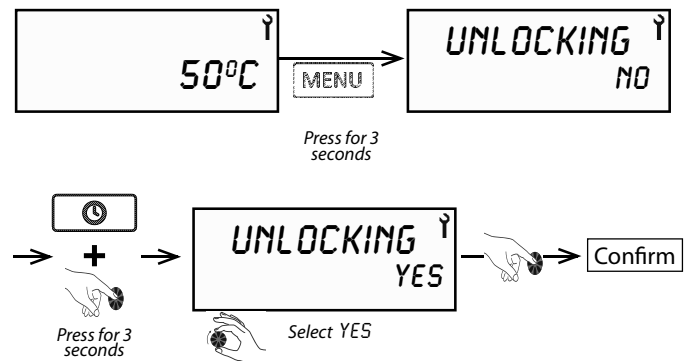


NO = Locking is not activated, but manual locking is possible by pressing **MENU** for 3 seconds.

AUTO = To lock menu access with temporary unlocking (60 seconds) press **MENU** for 3 seconds.



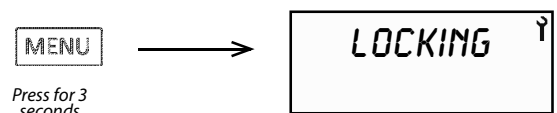
PRO = To lock access to menus with temporary unlocking (300 seconds) is possible by pressing **MENU** for 3 seconds and then **+** and **+** for 3 seconds.



- When locking is activated, it is only possible to access unlocking and to reset the alarm.

Manual locking from the main screen

It is possible to manually lock the keyboard from the main screen without gaining access through the «**Installer menu**» provided that locking settings are not already in place.

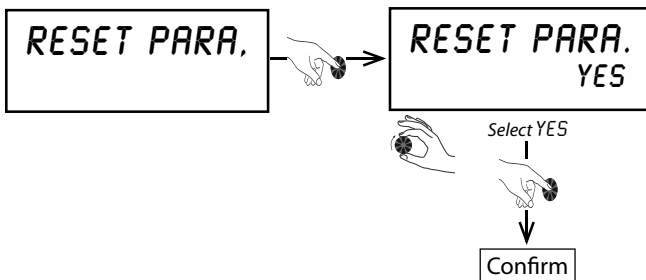


To lock manually, press **MENU** for 3 seconds.

6.9.5 - Resetting the parameters

Resetting the parameters allows you to return to the default settings.

Go to the «Installer menu», and turn the dial to «RESET PARA.».



6.9.6 - Reading data

The «READ DATA» menu shows you, in real time, the information given by the sensors.

In the «Installer» menu, turn the dial to «DISPLAY».

Display	Description	Reference on electronics board
<i>WATER</i>	Domestic hot water temperature in lower part of tank	Teau
<i>FLOOR</i>	Temperature of water returned from the underfloor heating circuit	Tair
<i>EVAP</i>	Temperature of heat pump evaporator (expansion valve outlet)	Tdegiv
If <i>PV MODE</i> (deactivated) factory settings, read data as follows:		
<i>SHEDDING</i>	Off-peak hours switch (0-on; 1- off)	heures creuses
<i>HYGROSTAT</i>	Moisture sensor input (0-on; 1- off)	hygrostat
If <i>PV MODE</i> (activated) read data as follows:		
<i>PV ECO</i>	Contact input 1 (0-open; 1- closed)	1 heures creuses
<i>PV MAX</i>	Contact input 2 (0-open; 1- closed)	2 hygrostat

The temperature which is permanently displayed on the screen is the set temperature and does not necessarily indicate the temperature of the water immediately available in the tank.

6.9.7 - Counters

The «Counters» menu shows the number of start-ups from the heat pump and the electrical back-up.

In the «Installer», menu turn the dial to «COUNTERS».



- *COUNTER N° 1*:
Number of start-ups from the heat pump
- *COUNTER N° 2*:
Number of start ups from the electrical back-up
- *COUNTER N° 4*:
Accumulated heat pump running time

7 - MAINTENANCE AND TROUBLESHOOTING

In order to maintain efficiency and improve durability it is advised that an annual maintenance check be carried out by a qualified professional.



- Any work on the heat pump must be carried out by a qualified professional.
- Observe all health and safety rules!
- Any work on the refrigerant circuit must be carried out by a qualified professional with a Category 1 certificate of aptitude.
- The release of refrigerant fluid into the atmosphere is forbidden.
- The refrigerant must be collected before any work is carried out on the circuit.
- Switch off the domestic hot water heat pump before opening it.
- Wait for the fan to come to a complete stop before carrying out any work.
- Do not get water on any of the electrical parts.
- The pressure limiting device must be operated regularly to eliminate limescale and to check for blockages.

In case of maintenance or if taking the **domestic hot water heat pump** out of service, please respect the environmental protection regulations regarding recovery, recycling and disposal of consumables and components.



The R290 refrigerant in the heat pump circuit poses no risk to the environment, but it is flammable.

- The R290 refrigerant is odourless,
- do not damage the pipes in the refrigerant circuit,
- do not handle a flame or any other flammable source on the inside of the appliance.
- If the refrigerant is leaking, unplug the appliance, air out the room, and contact customer service.
- Do not use any mechanical means to speed up defrosting.
- Do not pierce or burn the appliance: in case of intervention on the refrigerant circuit, the refrigerant must be recovered.
- The refrigerant circuit containing flammable refrigerant fluid complies with national gas regulations.

.../...



.../...

→ In case of intervention on the refrigerant circuit:

- 1) Secure the area you will be working in.
- 2) Inform people of the potential danger involved in the work being carried out.
- 3) Check that the risk of inflammation is minimised.
- 4) Avoid working in a confined space; the area must be sufficiently ventilated.
- 5) Check the area with an appropriate leak detector before and during the work.
- 6) Place a dry powder or CO₂ extinguisher near the work area.
- 7) Do not smoke



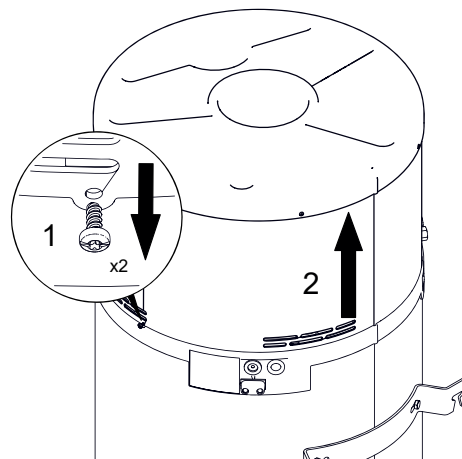
7.1 - Water circuit



It is **MANDATORY** to read the additional document concerning the quality of water used for filling the installation. This document is included with this manual as well as in the packet with the warranty information.

This document also contains information which is **PERTINENT** to the **WARRANTY** of the material.

The pressure-relief valve should be activated regularly so as to eliminate limescale and check for blockages. Inspect the **domestic hot water heat pump's** hydraulic connections to ensure that they are all watertight.



To access the Heat pump and the electrical connections you will need to:

Partially unscrew (or remove) the 2 screws which fix the shell to the lower tray of the heat pump block.

7.2 - Water circuit from the return flow from underfloor heating

The control of the water circuits is limited to the inspection of the filters and stopping up of any eventual leaks. Clean or replace clogged filters.

7.3 - Electrical maintenance

It is mandatory to periodically inspect for cleanliness and the absence of dust deposits on the electrical power board and the electrical connection terminals:

- of the compressor;
- of the electrical resistance;

Also check the lug connections to ensure proper tightness. The frequency of inspection must be adapted according to the air quality: a dusty environment requires more frequent inspection, at minimum once per year.

- Check that the wiring is not subject to wear, corrosion, excessive pressure, vibration, contact with sharp edges or any other adverse effects due to its environment.
- Maintenance must also take into account the effects of long-term continuous vibration from components such as the compressor and fan.



Neglecting to clean the electronic circuit board and the electrical components could create a source of ignition.

7.4 - Drainage

When draining the tank, ensure that there is a sufficient air intake at a high point of the tank so as to avoid any depressions in the tank.

Materials and products to avoid:

- brushes with steel bristles and steel wool pads
- scouring powder
- all bleach based or chloride products

- 1) Switch off the power supply.
- 2) Shut off the cold water inlet valve on the safety group and ensure there is an air intake valve on a high point of the appliance.
- 3) Open the hot water valves.
- 4) Set the safety group to the drainage position.

7.5 - Modification

Any modification of the appliance is prohibited. Any replacement of components must be done by a professional with original parts from the manufacturer.

7.6 - Decommissioning

7.6.1 - Leak detection

In the event of a prolonged absence with the power supply to the housing and the product disconnected, ask a qualified professional to drain the product or protect it from freezing.

Under no circumstances should potential ignition sources be used for the detection or detection of refrigerant leaks. A halogen flare (or other detector using an open flame) shall not be used.

- Electronic leak detectors may be used to detect refrigerant leaks, but for flammable refrigerants, sensitivity may not be adequate or may require recalibration.
- Ensure that the detector is not a potential ignition source and is suitable for the refrigerant used. Leak detection equipment must be set to a percentage of the lower flammability limit of the refrigerant and must be calibrated for the refrigerant used. The value of 25% of the lower flammable limit is used as the maximum.

- Liquid leak detectors are also suitable for use with most refrigerants but the use of chlorine-containing detergents should be avoided as chlorine can react with the refrigerant and corrode copper from the piping.
- If a leak is suspected, all open flames must be suppressed / extinguished.

7.6.2 - Removal and evacuation

- When opening the refrigeration circuit to perform repairs - or for any other purpose - conventional procedures must be used.
- For flammable refrigerants, it is important to use best practice as flammability must be considered.
- The following procedure must be followed :
 - Remove the refrigerant ;
 - Purge the circuit with inert gas ;
 - Evacuate to the atmosphere;
 - Purge with inert gas ;
 - Open the circuit by cutting or brazing.
- Refrigerant must be recovered in a suitable recovery bottle.
- The system must be purged with nitrogen without oxygen.
- This process may need to be repeated several times. Compressed air or oxygen should not be used to purge refrigerant systems.
- The purge of refrigerants must be performed by breaking the vacuum in the system with nitrogen without oxygen: By filling up until the working pressure is reached, an evacuation to the atmosphere, and finally by vacuum pulling.
- This process must be repeated until there is no more refrigerant in the circuit.
- When the last oxygen-free nitrogen charge is used, the circuit must be brought to atmospheric pressure to allow intervention.
- Ensure that the vacuum pump outlet is not near potential ignition sources and that ventilation is available.

7.6.3 - Charging process

- Ensure that contamination of different refrigerants does not occur when using charging equipment. Hoses or lines should be as short as possible to minimize the amount of refrigerant they contain.
- Cylinders must be held in an appropriate position according to instructions.
- Make sure the refrigeration system is grounded before charging the system with refrigerant.
- Label the system when the load is complete (if not already done).
- Extreme precautions must be taken to not overload the refrigeration system.
- Before recharging the system, it must be pressure tested with the appropriate purge gas.
- The system must undergo a leak test at the end of the load but before commissioning. Another follow-up leak test must be performed before leaving the site.

7.6.4 - Decommissioning

- Before performing this procedure, it is essential that the technician knows the product and all its specificities.
 - It is recommended to use best practices to ensure that all refrigerants are safely recovered. Before the task is performed, an oil and refrigerant sample must be taken in case an analysis is required before recycling the recovered refrigerant. It is essential that a power supply is available before the intervention begins.
- a) Familiarize yourself with the product and how it works
 - b) Electrically isolate the system.
 - c) Before attempting the procedure, ensure that:
 - mechanical handling equipment is available, if necessary, for the handling of refrigerant cylinders ;
 - all personal protective equipment is available and used correctly ;
 - the recovery process is being overridden at all times by a competent person.
 - recovery equipment and cylinders comply with appropriate standards.
 - d) Perform a «pump down» on the appliance where possible.
 - e) If it is not possible to vacuum, make a manifold so that the refrigerant can be removed from various parts of the system.
 - f) Make sure the recovery bottle is on the scale before the start of fluid recovery.
 - g) Start the recovery group and operate it according to the instructions.
 - h) Do not overfill bottles (no more than 80% in volume of liquid charge).
 - i) Do not exceed the maximum operating pressure of the cylinder, even temporarily.
 - j) Once the cylinders have been filled correctly and the process completed, ensure that the cylinders and product are removed from the site quickly and that all isolation valves on the product(s) are closed.
 - k) Refrigerant must not be loaded into another refrigeration system unless cleaned and verified.

7.6.5 - Recovery

When transferring refrigerant into the recovery bottles, ensure that only the appropriate bottles are used. Make sure you have enough bottles to recover the entire system load. All cylinders used are dedicated to the refrigerant recovered and labelled for it (i.e., special cylinders for refrigerant recovery). Cylinders must be complete with pressure relief valve, associated shut-off valves and in good working condition. Empty recovery cylinders are evacuated and, if possible, cooled prior to recovery.

- Recovery equipment must be in good working order with all instructions at hand and must be suitable for recovery of all refrigerants including, where applicable, flammable refrigerants. In addition, a set of calibrated scales must be available and in good working order.
- Hoses must be complete with leak-free disconnects and in good condition. Before using the recovery machine, verify that it is in good working order, has been properly maintained and that all associated electrical components are sealed to prevent ignition in the event of a refrigerant leak. Consult the manufacturer if in doubt.
- The recovered refrigerant must be returned to the supplier in the appropriate recovery bottle and the transfer note filled in correctly. Do not mix refrigerants in recovery units and especially not in recovery bottles.

- If compressors or compressor oils need to be replaced, make sure they have been vacuum pulled to an acceptable level to ensure they are not left in the flammable refrigerant lubricant. Vacuum pulling must be done before the compressor is returned to the supplier. Only electric heating of the compressor body should be used to accelerate this process. When oil is drained from a system, it must be done safely.

7.6.6 - Recycling and Disposal

- The product must be labelled indicating that it has been taken out of service and emptied of the refrigerant.
- The label must be dated and signed.
- Ensure that there are labels on the product indicating that it contains a flammable refrigerant.

Entrust the disposal of the packaging to the installer who installed the product.



The above symbol requires:

- Do not dispose of the product with the household waste.
- Dispose of the product at a collection point for used electrical and electronic equipment.

7.7 - Troubleshooting

• The Heat pump is not working

Check that:

- The set temperature is higher than the temperature of the water in the tank.
- There is a power supply to the appliance.
- The green LED light is on.
- The appliance is not in Holiday mode (☰ symbol).
- The temperature of the return flow from underfloor heating is higher than 18°C.
- The timer has not been programmed to stop the appliance from operating («Frost protection» symbol on ❄).
- There is not an error displayed on the screen (see § Error message codes).
- The appliance is not using the timer switch.
- That the water circulator is operating properly (clean if necessary).
- The underfloor heating derivation circuit is properly purged of air.

• No hot water

Check that:

- The volume of water consumed is not higher than the volume in the tank.
- The time period that the appliance operates is not too short (12h minimum if connected to piping).
- The water temperature is not set too low.
- There is no water loop installed.

• Water is too hot

Check that:

- The water sensor is properly placed in the well.

• The electrical back-up is not working

Check that:

- Your electricity provider or your timer is not preventing the appliance from functioning (❄ «Frost protection» light on).
- A heat-limiting safety thermostat for electrical back-up has not been activated after over-heating (>87°C). If this is the case, reset it.

Before resetting, check:

- That the heating element does not have limescale.
- Clean or replace if necessary.



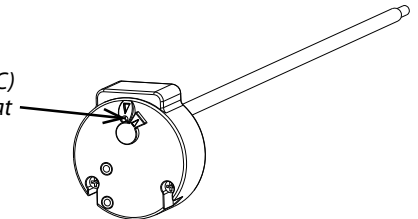
Do not adjust settings on the safety aquastat

• The electrical back-up's temperature limiting safety aquastat is engaged

Before resetting check that:

- The immersion heater is not covered in limescale deposits
- Clean or replace if necessary

Reset button (87°C)
on safety aquastat



7.8 - Inspecting the corrosion-proof anode - Changing the primary anode of the heating element or cleaning the tank

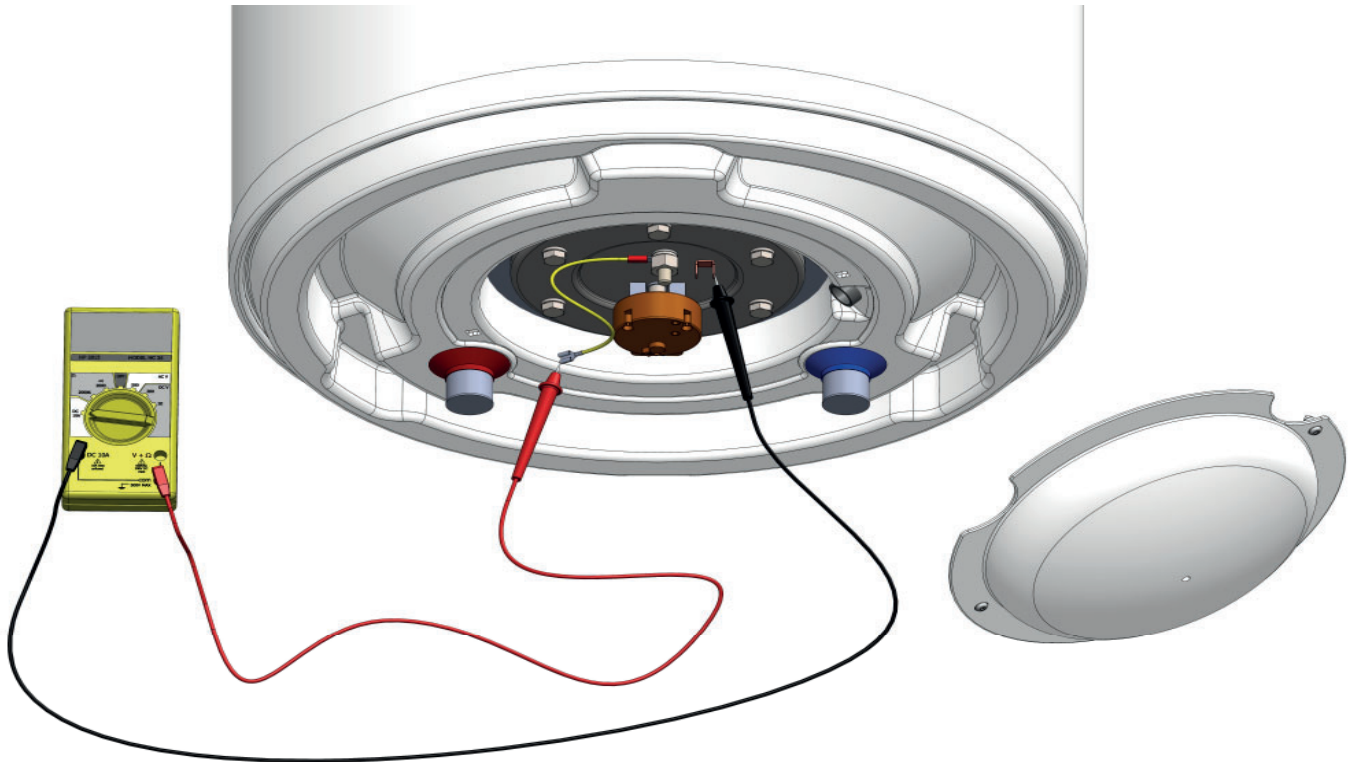


If the corrosion-proof anode is in a poor state of repair it will shorten the lifespan of the appliance and render the warranty null and void.

The primary corrosion-proof anode ensures the protection of the tank, it must be inspected at regular intervals (at minimum once per year after the initial set-up of the domestic hot water heat pump).

Check the magnesium anode by measuring the current:

- Disconnect the anode cable from the earth terminal.
- Measure the current between the anode cable and the earth terminal.

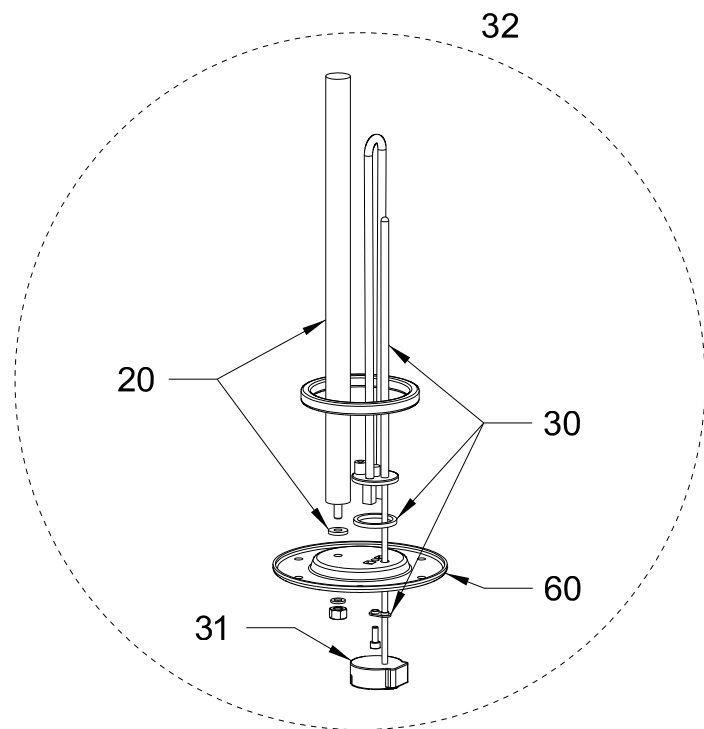
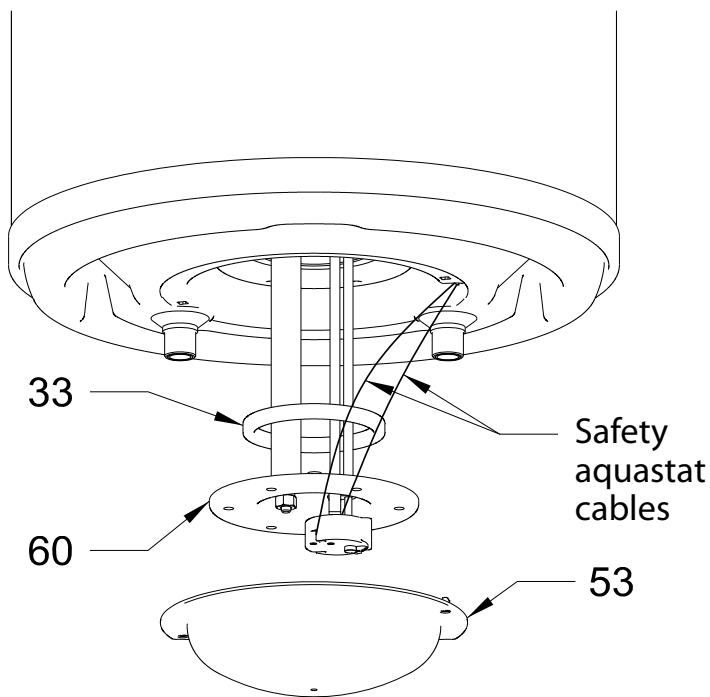


If the current is >0.3 mA, the anode is operational, if the current <0.3 mA check the anode visually.

To access the anode, the heating element, and to clean the tank:

- Drain the appliance using the drainage valve installed on the cold water inlet.
- Disassemble the lower plastic hood (**rep.53**).
- Disconnect the electrical heating element (**rep.30**) (phase and neutral)
- Remove the lower flange (**rep.60**) which supports the heating element and anode.
- Inspect the primary anode (**rep.20**) at its narrowest point. This diameter should be more than 15 mm.
- Change the anode if its diameter is less than 15 mm (the diameter of a new anode is 26 mm).
- To change the primary anode, unscrew the self-locking nut and washer, and remove the primary anode with its seal.
- Fit the new anode into place with a new seal, and tighten the self-locking nut and washer.
- To change the heating element: remove the aquastat (**rep.31**) by pulling out the casing.
- Unscrew the screw and the insulating ring holding the heating element in place.
- Remove the heating element and its seal (**rep.30**).

- Fit the new heating element with a new seal.
- Tighten the screw and the insulating ring.
- Put the aquastat back into place by slotting the 2 tabs on the aquastat into the 2 lugs on the heating element that stick out of the access flange.
- Clean the flange (**rep.33**) or replace if defective.
- If the seal has been replaced, carefully reposition the 6 cage nuts and bolts on the lower flange by pushing then down.
- Reposition the seal on the flange (**rep.33**).
- Put the lower flange back into place.
- Rewire the heating element (phase and neutral).
- Put the lower plastic cover back into place (**rep.53**).

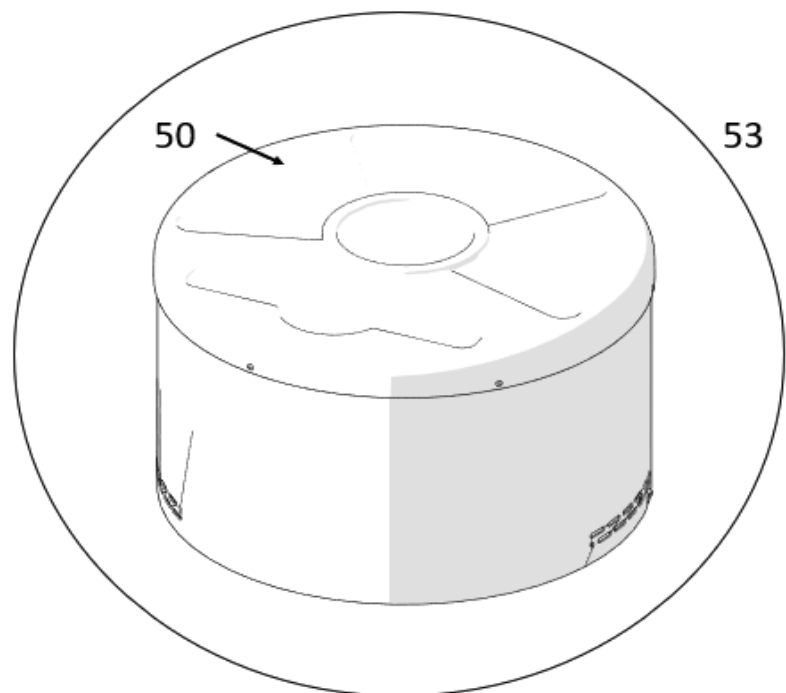
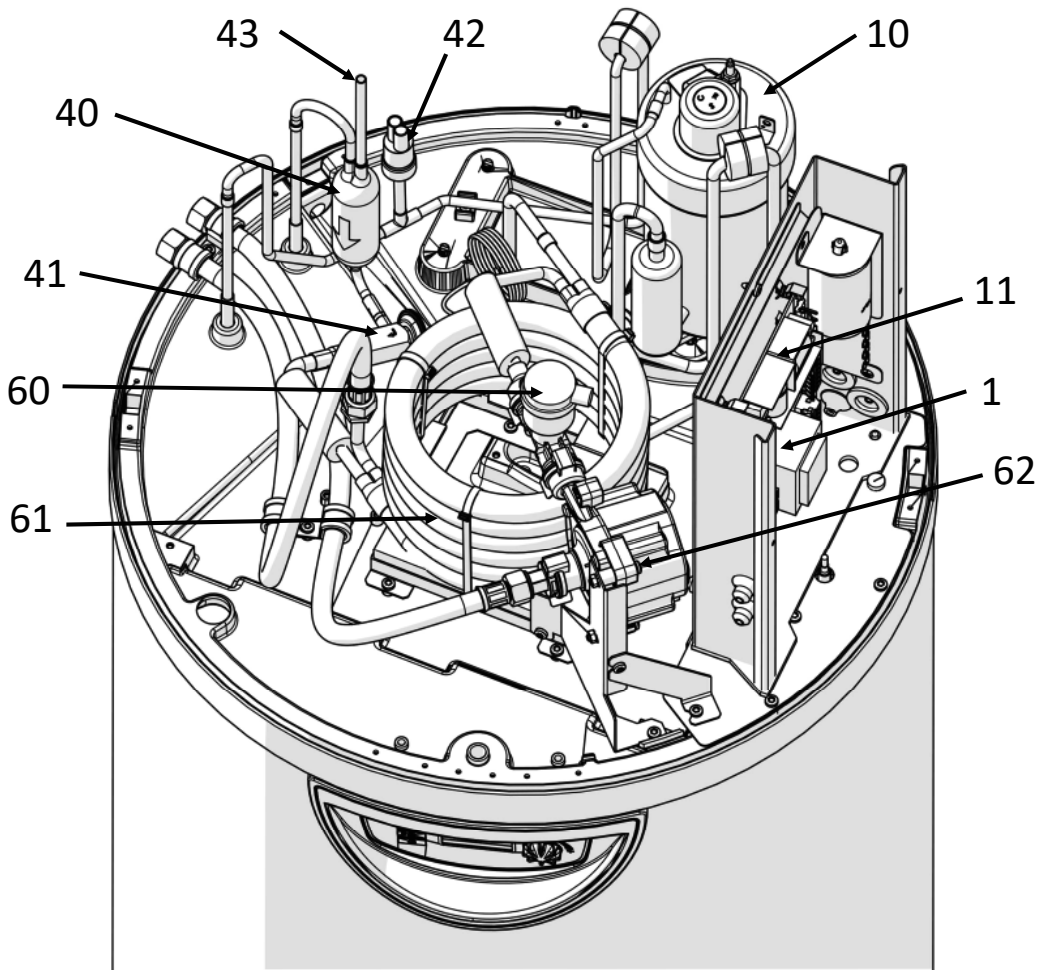


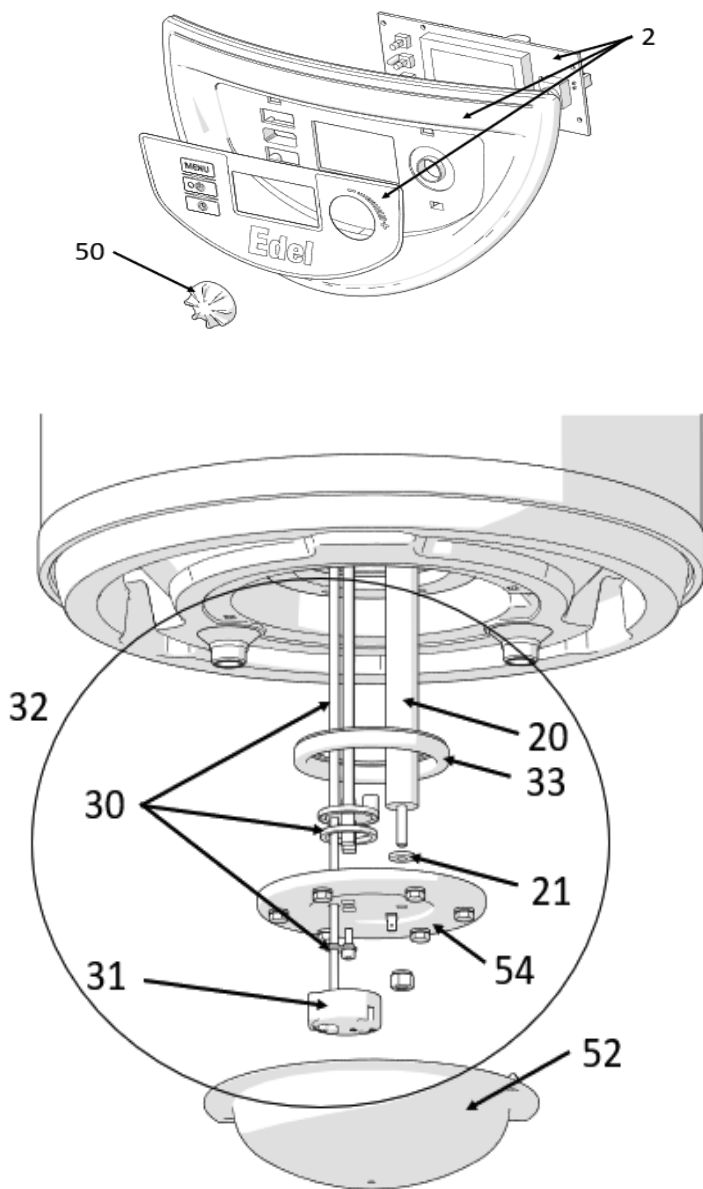
7.9 - NTC sensor data

All 4 Domestic hot water heat pump sensors have the same ohmic values.

Temp. (°C)	Résist. R (KOhms)	Temp. (°C)	Résist. R (KOhms)	Temp. (°C)	Résist. R (KOhms)	Temp. (°C)	Résist. R (KOhms)
-10	56,200	10	20,700	30	8,045	60	2,343
-5	46,890	15	16,350	35	6,514	70	1,637
0	33,020	20	12,920	40	5,306	80	1,165
5	26,200	25	10,000	50	3,422		

7.10 - List of spare parts





Rep.	150 l	Description
Regulation / display		
1	B4995303	C3S electronic circuit board
2	B4995470	Circuit board + display + pgm. JP3
3	B4992653	Display cable JST 480 mm lg + foam
4	B1244833	Temperature sensor 900 mm lg
5	B1244577	Temperature sensor 700 mm lg
6	B4993072	Temperature sensor kit 900 mm lg
Electricity		
10	B4994150	Compressor replacement kit + accessories
11	B1244190	Transformer - 230 V/ 24 V
Protection		
20	B1944184	Anode kit 450 mm
21	B1657809	Anode seal
Electrical back-up		
30	B4991949	1000 W immersion heater kit + seal
31	B1239160	Aquastat
32	B4992655	Lower flange kit (assembled) + flange seal
33	B1957523	Flange seal
Refrigerant circuit		
40	B1472871	Dehumidifying filter
41	B1473097	Pressure reducing valve
42	B1244424	Pressure switch
43	B1973127	Refrigerant loading pipe + Schrader valve
Casing		
50	B1758866	Control panel dial
51	B4959184	Upper white insulated cover
52	B1759506	White heating element cover
53	B4994924	Insulated cover + shell kit
54	B4992433	Lower enamelled flange
Hydraulic		
60	B4938819	Automatic purger
61	B1473074	Coaxial exchanger
62	B1244189	Circulator
non visible	B1657763	Toric joint
not visible	B1135130	Dielectric fittings

Note : availability of spare parts :

The spare parts of our products are kept available for 10 years, from the date of stop of mass production, except events beyond our control.

7.11 - Error message codes, errors, solutions, and operating in case of error



Note:

Errors can be dismissed by briefly pressing the dial (manual reset)

Display	Error	Probable causes	Temporary operating measures while waiting for the problem to be resolved	Solutions
MEMO/BUS	<ul style="list-style-type: none"> Electronic board defect Bus wire defect Display screen defect 	<ul style="list-style-type: none"> Voltage too high on electrical network Wiring error during electrical connection (connection to electricity provider or moisture sensor.) Damage during transportation 	<ul style="list-style-type: none"> Tank non-functional 	<ul style="list-style-type: none"> Replace main electronics board or Replace display screen board
T_AIR	<ul style="list-style-type: none"> Underfloor heating water sensor defect (temperature of water inlet from the underfloor heating circuit) 	<ul style="list-style-type: none"> Sensor not functioning Sensor unplugged from board Sensor cable damaged 	<ul style="list-style-type: none"> Heat pump non-functional Electrical back-up heats water to 43°C (38°C minimum) 	<ul style="list-style-type: none"> Replace sensor
T_DEFROST	<ul style="list-style-type: none"> Evaporator sensor defect (de-frosting temperature) 	<ul style="list-style-type: none"> Sensor not functioning Sensor unplugged from board Sensor cable damaged 	<ul style="list-style-type: none"> Heat pump non-functional Electrical back-up heats water to 43°C (38°C minimum) 	<ul style="list-style-type: none"> Replace sensor
T_WATER	<ul style="list-style-type: none"> Tank water sensor defect 	<ul style="list-style-type: none"> Sensor not functioning Sensor unplugged from board Sensor cable damaged 	<ul style="list-style-type: none"> Heat pump non-functional 	<ul style="list-style-type: none"> Replace sensor
CLOCK	<ul style="list-style-type: none"> Clock/timer defect 	<ul style="list-style-type: none"> Voltage too high on electrical network Damage during transportation 	<ul style="list-style-type: none"> Programmed heating periods are no longer valid: the water is maintained continuously at the standard set temperature (if no signal or control is connected to the «external control» switch) 	<ol style="list-style-type: none"> Press «clock settings» and set date and time If the error message does not disappear, replace the electronics board
OVER PRESS	<ul style="list-style-type: none"> Heat pump pressure too high 	<ul style="list-style-type: none"> No water in the tank Water is too hot (>75°C) Water sensor removed from tank Defective water sensor 	<ul style="list-style-type: none"> Heat pump is non-functional Automatic reset 	<ul style="list-style-type: none"> Check that the tank has been properly filled with water and purged of air Change the water sensor Check that the water sensor is in the right position in the tank
LOW PRES.	<ul style="list-style-type: none"> Heat pump pressure too low 	<ul style="list-style-type: none"> No water flow Circulator pump blocked or not functioning Circulator incorrectly purged 	<ul style="list-style-type: none"> Heat pump non-functional Electrical back-up heats the water to 43°C (38°C minimum) 	<ul style="list-style-type: none"> Check that the circulator pump is working Check if the circulator pump is clogged, and unclog if necessary
OVERHEAT	<ul style="list-style-type: none"> Domestic hot water overheating (water temperature >87°C) 	<ul style="list-style-type: none"> Defective water sensor Water sensor removed from tank 	<ul style="list-style-type: none"> Heat pump non-functional Automatic reset 	<ul style="list-style-type: none"> Check that the sensor is in the right position in the tank
COLD EVAP ERR.	<ul style="list-style-type: none"> Heat exchanger temperature too low. Risk of ice. 	<ul style="list-style-type: none"> No water circulating Incorrect connection to the underfloor heating return flow inlet (inlet/outlet reversed) Circuit not properly purged Circulator pump not functioning 	<ul style="list-style-type: none"> Heat pump non-functional. Electrical back-up heats water to 43°C (38°C minimum) 	<ul style="list-style-type: none"> Clean the filters Check that water can circulate freely Check compliance of hydraulic connection (inlet/outlet) Purge air at the circulator pump Check that the circulator pump is working properly
ANTI BACT	<ul style="list-style-type: none"> The anti-legionellosis cycle is not validated 	<ul style="list-style-type: none"> Sub-draft too high Set temperature too high Failure of the resistance Electrical back-up not allowed 	<ul style="list-style-type: none"> Unit on 	<ul style="list-style-type: none"> Restart a cycle Reduce cycle set temperature Clean the resistance Replace the resistance Authorize electrical back-up
ERR.01	<ul style="list-style-type: none"> Incorrect reading from the temperature sensor Incorrect reading from the defrosting sensor The heat pump has run out of refrigerant fluid Expansion valve is not working The compressor is not working and safety temperature is activated 	<ul style="list-style-type: none"> The air and defrosting sensors are inverted on the electronics board The defrosting and water sensors are inverted on the electronics board The defrosting sensor is connected to the air input, the air sensor is connected to the water input, the water sensor is connected to the defrosting input The defrosting sensor is not properly connected and she is measuring air There is a leak in the refrigerant circuit The expansion valve bulbs damaged or broken due to work being carried out on the appliance, or it being in contact with a part that vibrates Defect in compressor 	<ul style="list-style-type: none"> Heat pump non-functional. 	<ul style="list-style-type: none"> Reposition the temperature sensors correctly on the main electronics board Reposition the defrosting sensor properly in the tube Find and repair the leak before filling the refrigerant circuit Replace the expansion valve Replace the compressor
ERR.04	<ul style="list-style-type: none"> Incorrect defrosting and water sensor readings 	<ul style="list-style-type: none"> The defrosting and water sensors are inverted on the electronics board 	<ul style="list-style-type: none"> Heat pump non-functional. 	<ul style="list-style-type: none"> Reposition the temperature sensors properly on the main electronics board

8 - WARRANTY

The tank is guaranteed against breakage for a period of five (5) years, starting from the date the appliance was activated, if the warranty form was sent back to the manufacturer. In the absence of this document, the date of manufacture will be used to determine the start date of the warranty. If the tank is broken, the whole appliance will be replaced.

The other parts are guaranteed for a period of two (2) years starting from the date the appliance was activated, if the warranty voucher was sent back to the manufacturer. In the absence of this document, the date of manufacture will be used to determine the start date of the warranty.

The appliance is guaranteed against all manufacturing defects, provided that it was installed by a qualified professional using our instruction manuals, the C15-100 standard for electrical connections and the plumbing DTU 60-1 addendum 4 for domestic water have been followed.

A defective part does not warrant the whole appliance being replaced. The warranty only extends to parts which we identify as being defective due to manufacturer defect.

If necessary, the part or product should be returned to the manufacturer but only with prior agreement from our technical department. Labour, transport, and packaging costs are the responsibility of the user. Repairs on a device will not result in compensation.

The warranty for replacement parts ends at the same time as the appliance warranty (2 years).

The warranty only applies to the appliance and its components, and excludes any part or installation external to the appliance.

Regular maintenance of the appliance by a trained professional is essential for ensuring sustained use and durability. In the absence of regular maintenance, the warranty will not apply.

If an appliance is presumed to have been the cause of any damage, the appliance and the damage must be left as they are and not tampered with until an inspection can be carried out.

8.1 - Limitations of warranty

8.1.1 - General information

The warranty does not apply to defects or damage caused by situations or events such as:

- Misuse, abuse, negligence, improper transport or handling.
- Incorrect installation, or installation which has been carried out without following the instructions in the manual and user guide.
- Insufficient maintenance.
- Modifications or changes carried out on the appliance.
- Impacts from foreign objects, fire, earthquakes, floods, lightning, ice, hailstones, hurricanes or any other natural disaster.
- Movement, imbalance, collapse or settling of the ground or the structure where the appliance is installed.
- Any other damage which is not due to defects in the product.

The domestic hot water heat pump is not guaranteed against:

- Variations in the colour of the appliance or damage caused by air pollution, exposure to chemical elements, or changes brought about by adverse weather conditions.
- Dirt, rust, grease, or stains which occur on the surface of the appliance.

8.1.2 - Exclusion from warranty

8.1.2.1 - Use

Cases (not limited to) where the warranty is void:

- The water supply being other than cold domestic water, (such as rainwater or other water from a well), or which has particularly hostile or abnormal properties which do not comply with the national regulations and current standards in effect.
- The appliance being switched on before it is filled with water.

8.1.2.2 - Handling

Cases (not limited to) where the warranty is void:

- Any damage sustained by impacts or falls during handling after delivery from the factory.
- Deterioration in the condition of the appliance after handling where the instructions in the manual have not been followed.
- Damage occurring in the appliance when it has been switched on less than an hour after it has been leaning to the side or laid flat.

8.1.2.3 - Placement

Cases (not limited to) where the warranty is void:

- Placing the appliance where it can be subject to frost or other adverse weather conditions.
- Non-compliance with the instructions in the manual when installing the appliance.
- Installing the appliance on a surface which cannot bear its weight when filled with water.

Costs incurred by access difficulties are not the manufacturer's responsibility.

8.1.2.4 - Electrical connections

Cases (not limited to) where the warranty is void:

- Faulty electrical connection which does not comply with the current national installation standards.
- Not following the connection diagrams in the instruction manual.
- Power supply being significantly under or over the required voltage.
- Failure to comply with supply cable standards.
- Absence of, or insufficient, electrical protection throughout the appliance (fuse/ circuit-breaker, grounding, etc.).
- Damage which results from deactivating the electrical back-up aquastat and/or the heat pump.

8.1.2.5 - Hydraulic connections

Cases (not limited to):

- Reverse the hot/cold water connections.
- Water pressure higher than 6 bar.
- Absence of, incorrect fitting of, or obstruction of, a pressure-relief valve.
- Not fitting the pressure-relief valve directly onto the cold water inlet of the appliance.
- Fitting a pressure-relief valve which does not comply with the current national standards (NF EN 1487).
- Installing a previously-used pressure-relief valve.
- Tampering with the pressure-relief valve.
- Abnormal levels of corrosion caused by an incorrect plumbing connection (direct contact between iron and copper) without a sleeve (cast-iron, steel or insulating).

No claim for compensation may be made for damage which has occurred as a result of not installing thermostatic mixing valves onto the appliance.

8.1.2.6 - Accessories

- The warranty does not cover defects resulting from:
 - Installation of accessories which do not comply with manufacturer recommendations.
 - Use of accessories not provided by the manufacturer.

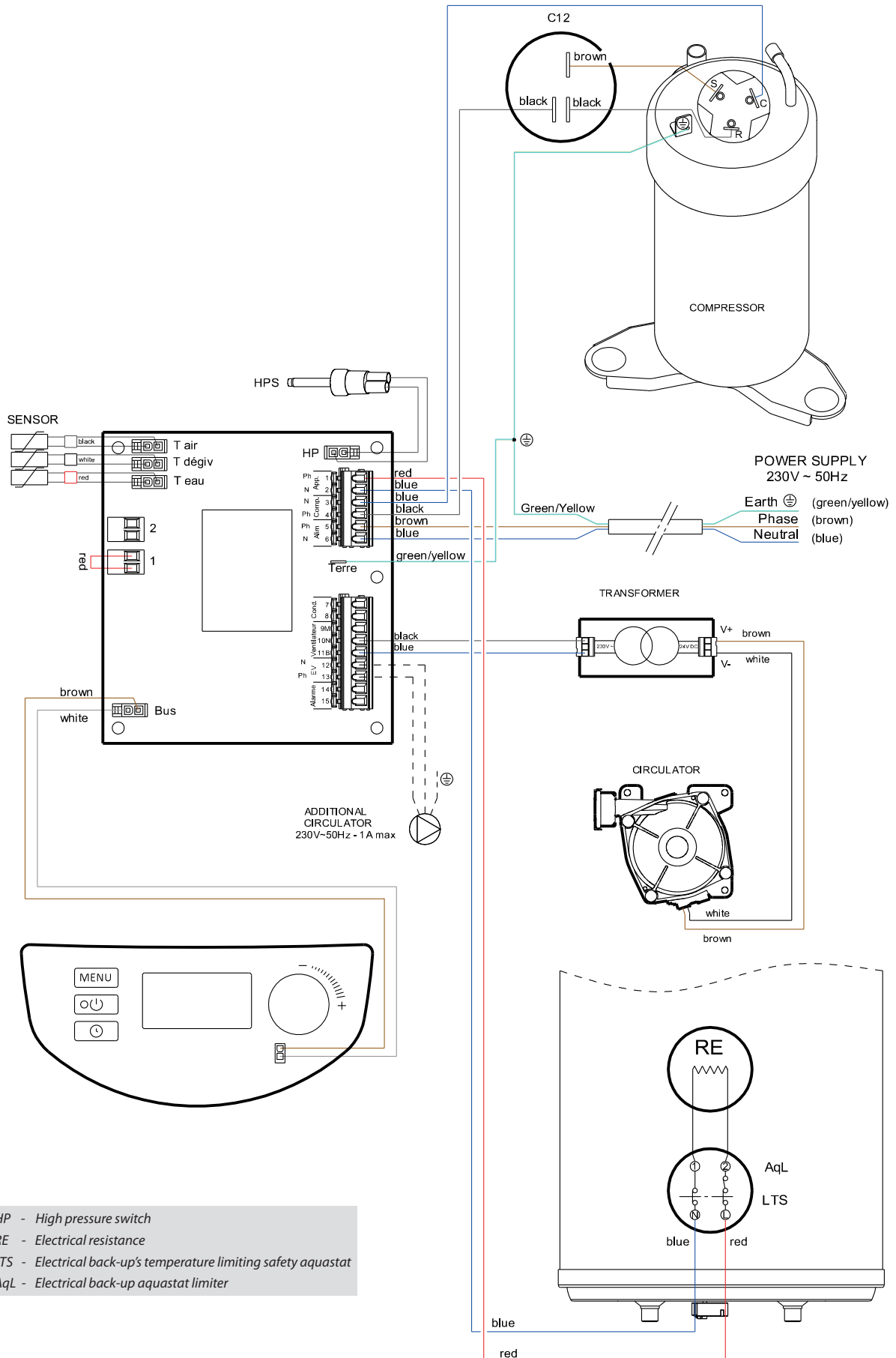
8.1.2.7 - Maintenance

Cases (not limited to) where the warranty is void:

- Not maintaining the appliance.
- Not maintaining the pressure-relief valve, resulting in excessive pressure.
- Absence of a pressure reducer.
- Not maintaining the circulator.
- Abnormal levels of limescale on heating elements or safety devices.
- Not using parts supplied by the manufacturer.
- Protective outer casing being subjected to any external damage.

9 - APPENDIX

9.1 - Electrical schematic diagram



HP - High pressure switch
 RE - Electrical resistance
 LTS - Electrical back-up's temperature limiting safety aquastat
 AqL - Electrical back-up aquastat limiter

NOTES :



www.intuis.fr

Industrial and development site

Rue de la République
CS 40029
80210 Feuquières-en-Vimeu

Customer service

+33 (0)9 78 45 10 26
service-consommateur@intuis.fr
service-client@intuis.fr

